

Long range gangway

Description:

The **SECURITOIT® std** gangway is a collective technical means of access in aluminium profile. Suitable for all types of roofs, this gangway is available in widths of 600 and 800 mm and can accommodate a guardrail that complies with standards (NF E 85 015 & EN ISO 14122-3) on one or both sides. It is possible to add a cable or rail lifeline on one side. The aluminium profile stringers allow spans of up to 6m (for longer spans: please contact us).

Details:

Material : Aluminium

Finish : Raw, anodised or powder-coated

Setup : Delivered with manuals and drawings available online at: <http://extranet.somain.fr>



✓ Advantages

SECURITOIT® std is lightweight and quick to install. The decking is non-slip.

SECURITOIT® is a range of devices including gangways and stairs that are fully compatible with each other. This compatibility allows an area to be brought up to code as a whole, regardless of changes in slopes and levels.

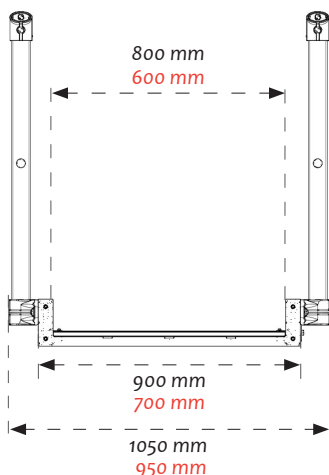
⋮ Options

The **SECURILISSE®** guardrails can be adapted over the entire length of **SECURITOIT®** gangways and stairs. There is a more economical version: **SECURITOIT® eco**.

i Additional information

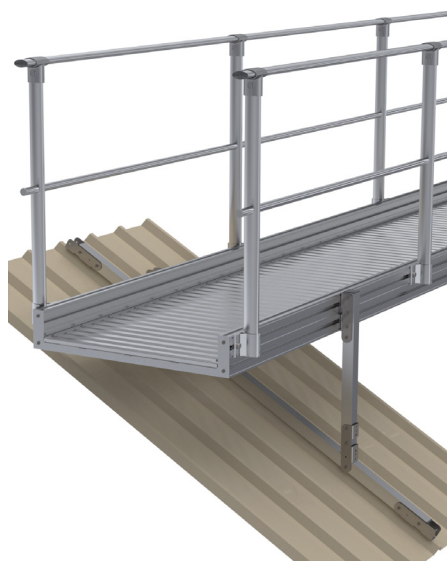
SECURITOIT® std is available in 2 widths: 600 and 800 mm. (For other widths: please contact us).

System identification label: QR code link to notices and traceability elements.



Fastening

SOMAIN has developed specific fixing systems to install the **SECURITOM® std** gangway.



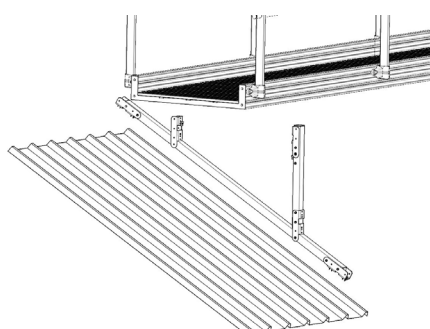
On metal decks



On fibre cement

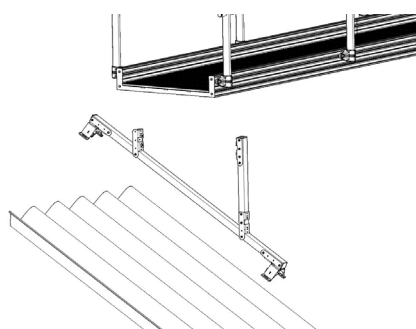


Wall mounting



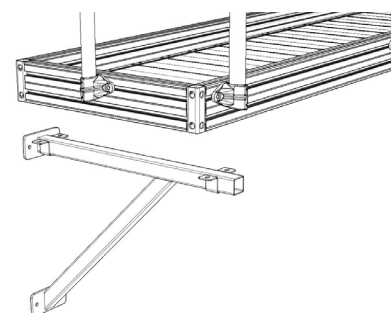
Fixing when the gangway is perpendicular to the waves direction.
Roof inclination: mini 5° / maxi 25°

REF : 101375



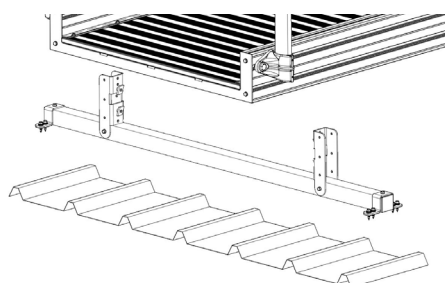
Fixing when the gangway is perpendicular to the waves direction.
Roof inclination: mini 5° / maxi 25°

REF : 101373



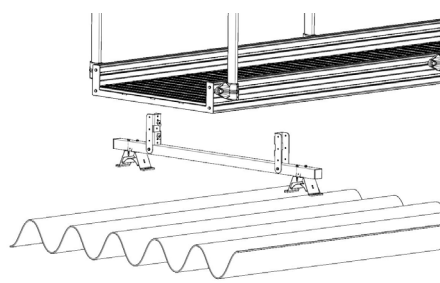
For fixing the gangway on a vertical support.

REF : 102259



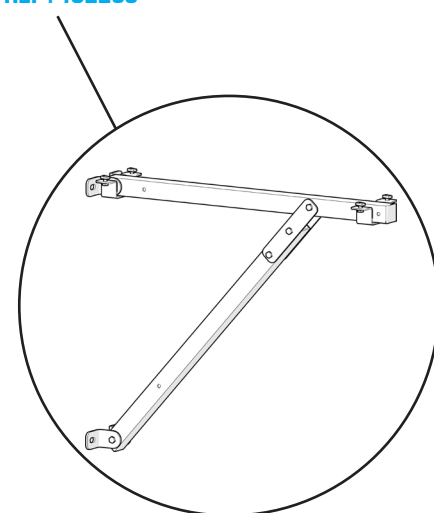
Fixing when the gangway is in the waves direction.

REF : 101371



Fixing when the gangway is in the waves direction.

REF : 101368



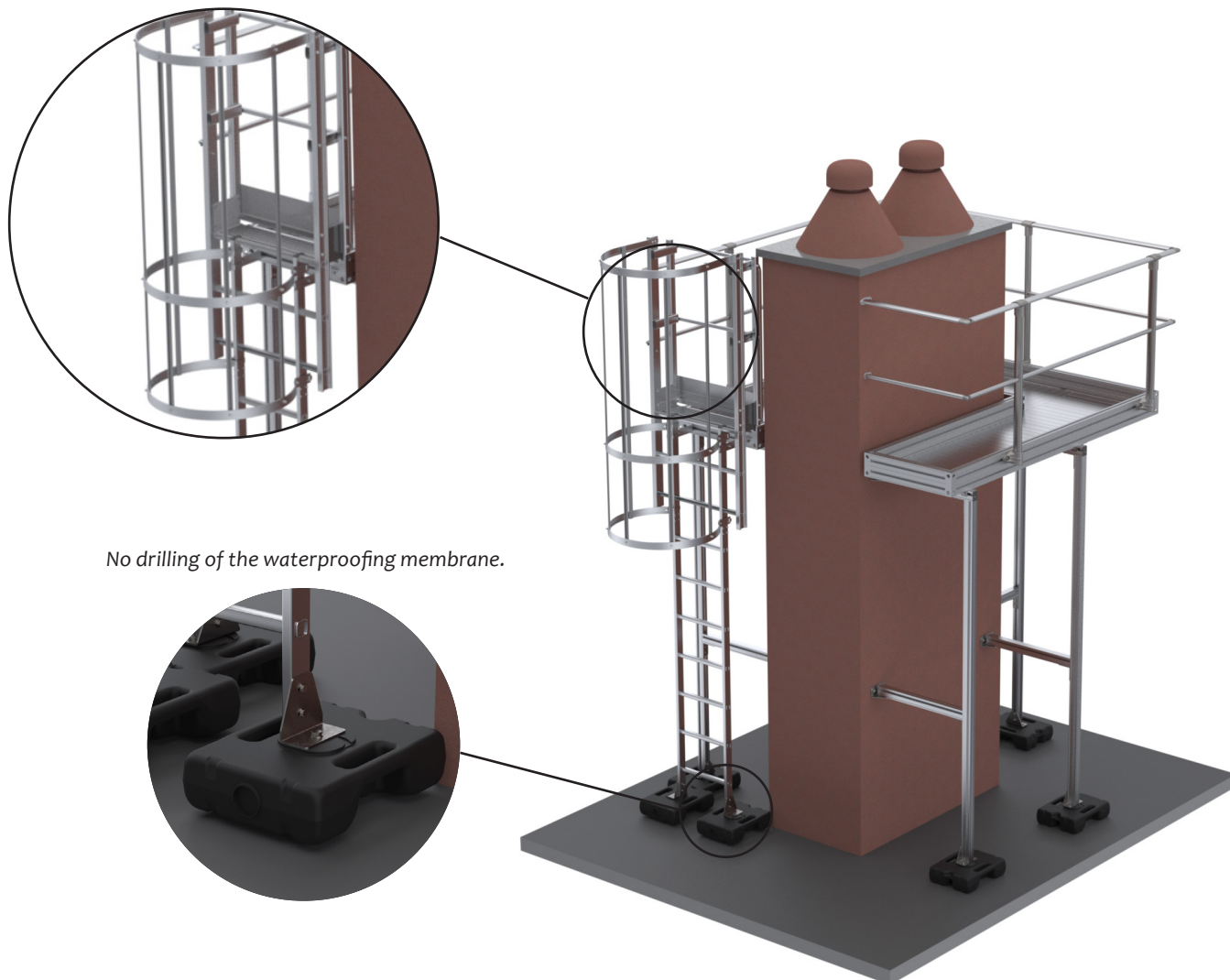
Brackets for wall mounting.

Special configurations

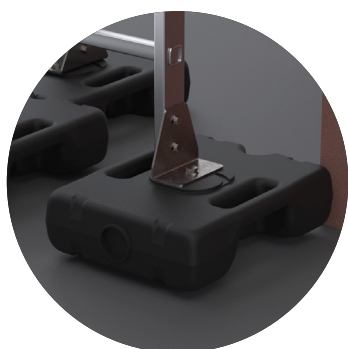
Examples showing the customisation options for the **SECURITON® std** gangway by our design office:

Gangway allowing access to the upper part of a technical structure (chimney, tank, etc.).

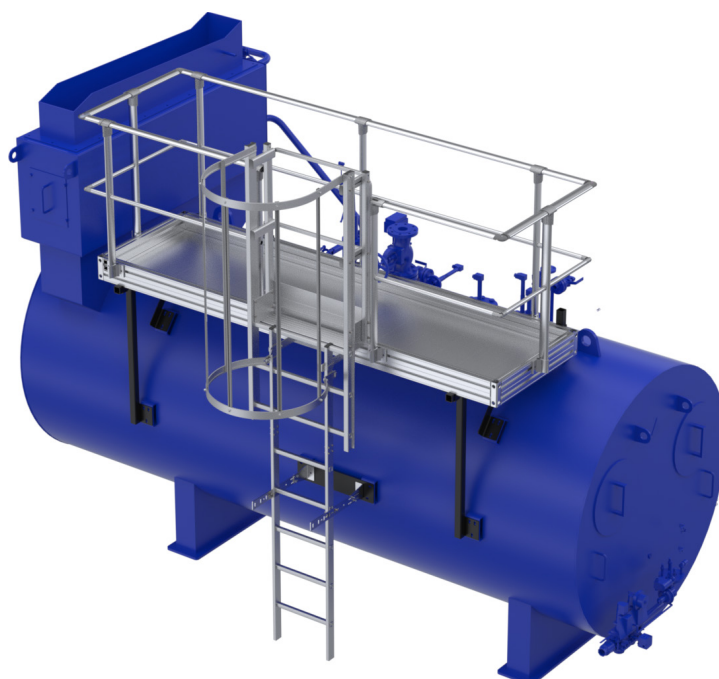
- Layout of the ladder exit with landing step and self-closing gate.



No drilling of the waterproofing membrane.

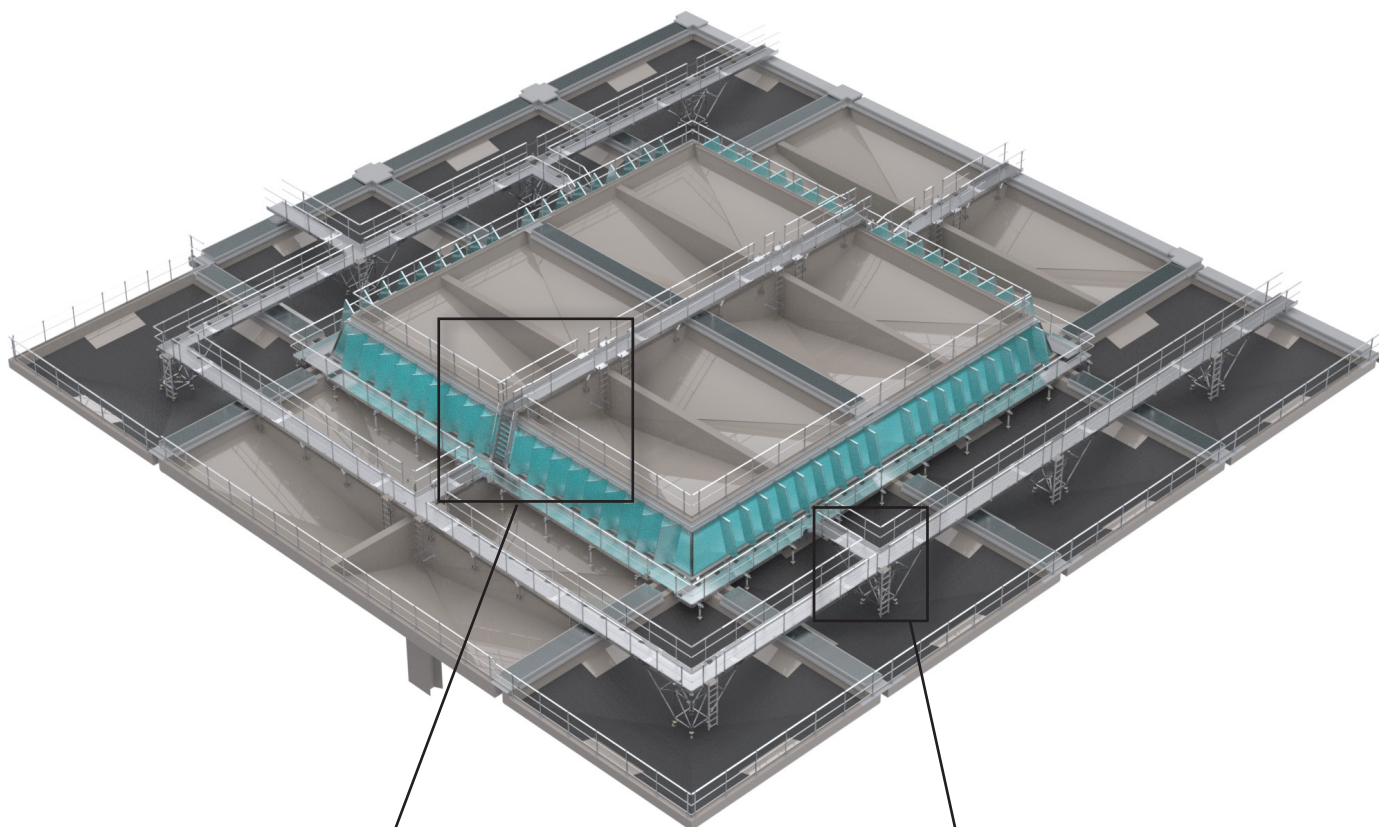


- Installation on a tank with customised interfaces made by us.

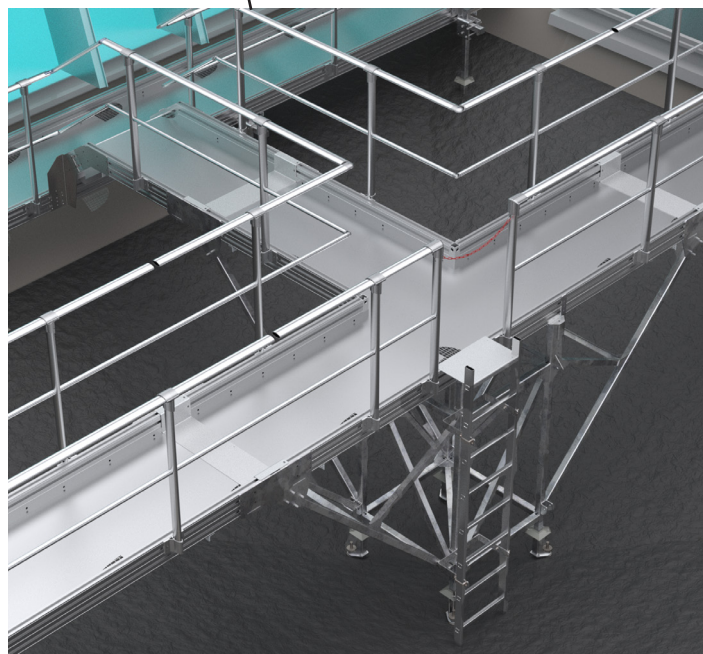


Special configurations

Construction of 1200 metres technical pathway including gangway, step ladder, stairs and single ladder.



Intersection between step ladder, gangway and stairs.



Quadrupade allowing a distance between fixations of 10 metres.