

Obstacle crossing

Description:

SECURITOT® sdl is a collective double access staircase which allows crossing obstacles such as ventilation ducts, cable trays, parapets etc.

SECURITOT® sdl can be fitted with NF E 85-015 compliant railings on one or both sides. The **SECURITOT® sdl** is standardised in a free-standing version, but can be adapted for anchorage to the ground when it comes to significant heights. Our design office can offer you a wide variety of solutions suitable for special configurations (angles, wall supports, landings, etc.)

Details:

Material: Aluminium

Finish: Raw, anodised or powder-coated

Setup: Delivered with manuals and drawings available online at: <http://extranet.somain.fr>



Available for different clearance height:

- 100 mm
- 300 mm
- 500 mm
- 700 mm
- 900 mm
- 1100 mm
- 1300 mm



✓ Advantages

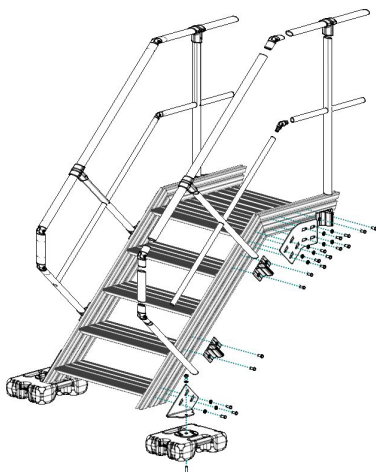
SECURITOT® sdl is lightweight and quick to install. The steps and decking are non-slip.

SECURITOT® is a range of devices including gangways, stairs and crossover systems that are fully compatible with each other. This compatibility allows an area to be brought up to code as a whole, regardless of changes in slopes and levels.

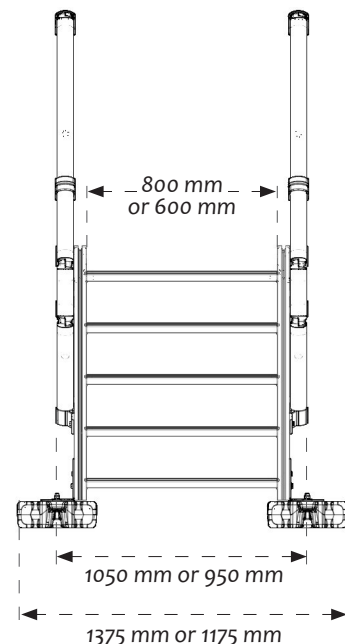
ⓘ Options

The **SECURILISSE®** railing can be adjusted over the entire length of **SECURITOT®** gangways and crossover systems.

It can be added on one or both sides depending on the configuration. Available in a narrower version with a width of 600mm.

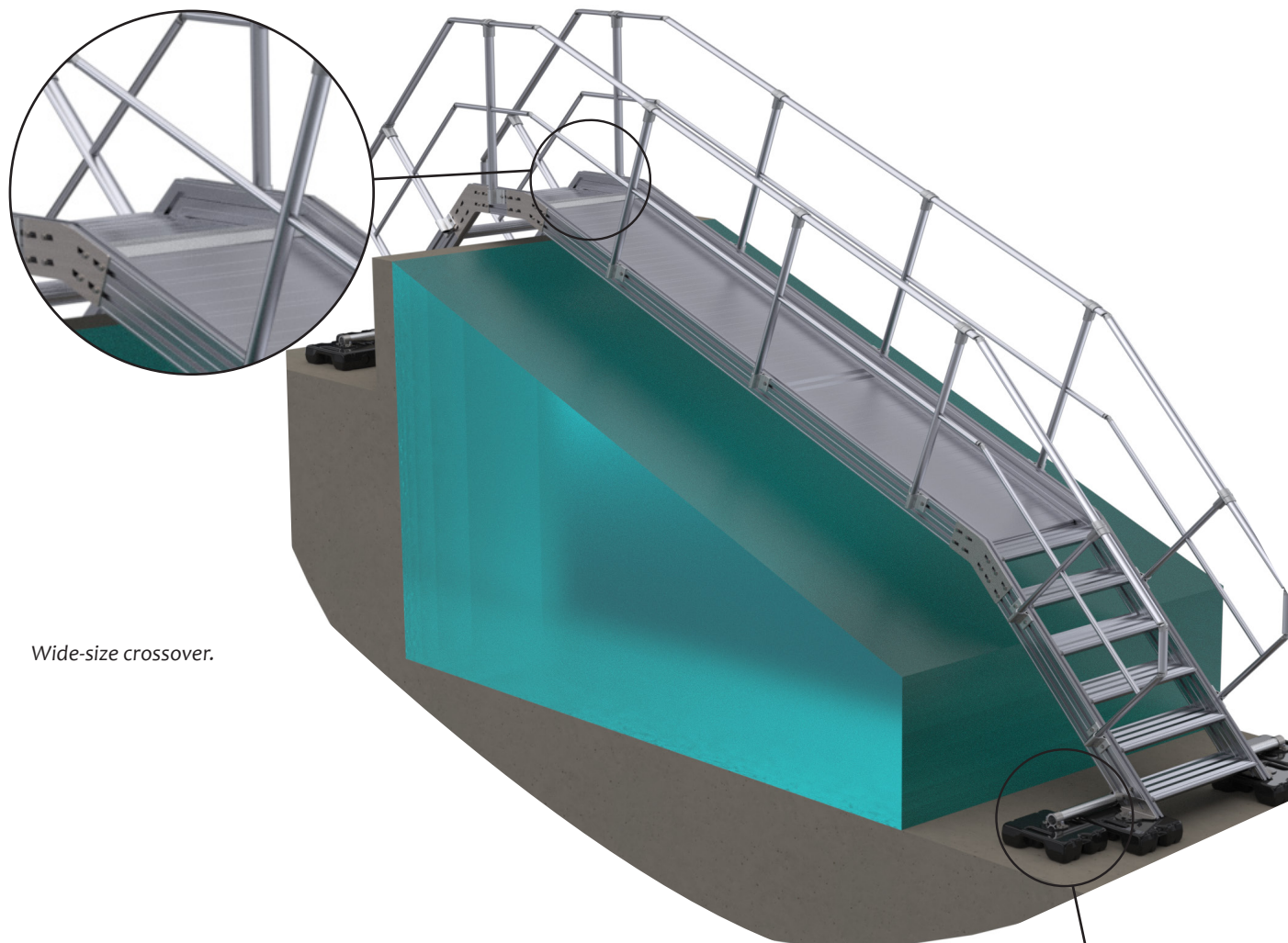


ⓘ Additional information



Special configurations

Examples showing the customisation options for **SECURITOM® sdl** by our design office:



Wide-size crossover.



Asymmetrical crossover.

