

Stairs

Description:

SECURITOT® escalier is a collective technical means of access in aluminium profile. It can be adjusted to various inclinations (from 21 up to 45°), and fitted with compliant guardrails on one or both sides.

The components of the **SECURITOT® escalier** are standardised. But the configuration of the staircase as well as its fixations are often special customised designs. Our design office can offer you a wide variety of solutions suitable for special configurations (angles, wall supports, landings, etc.)

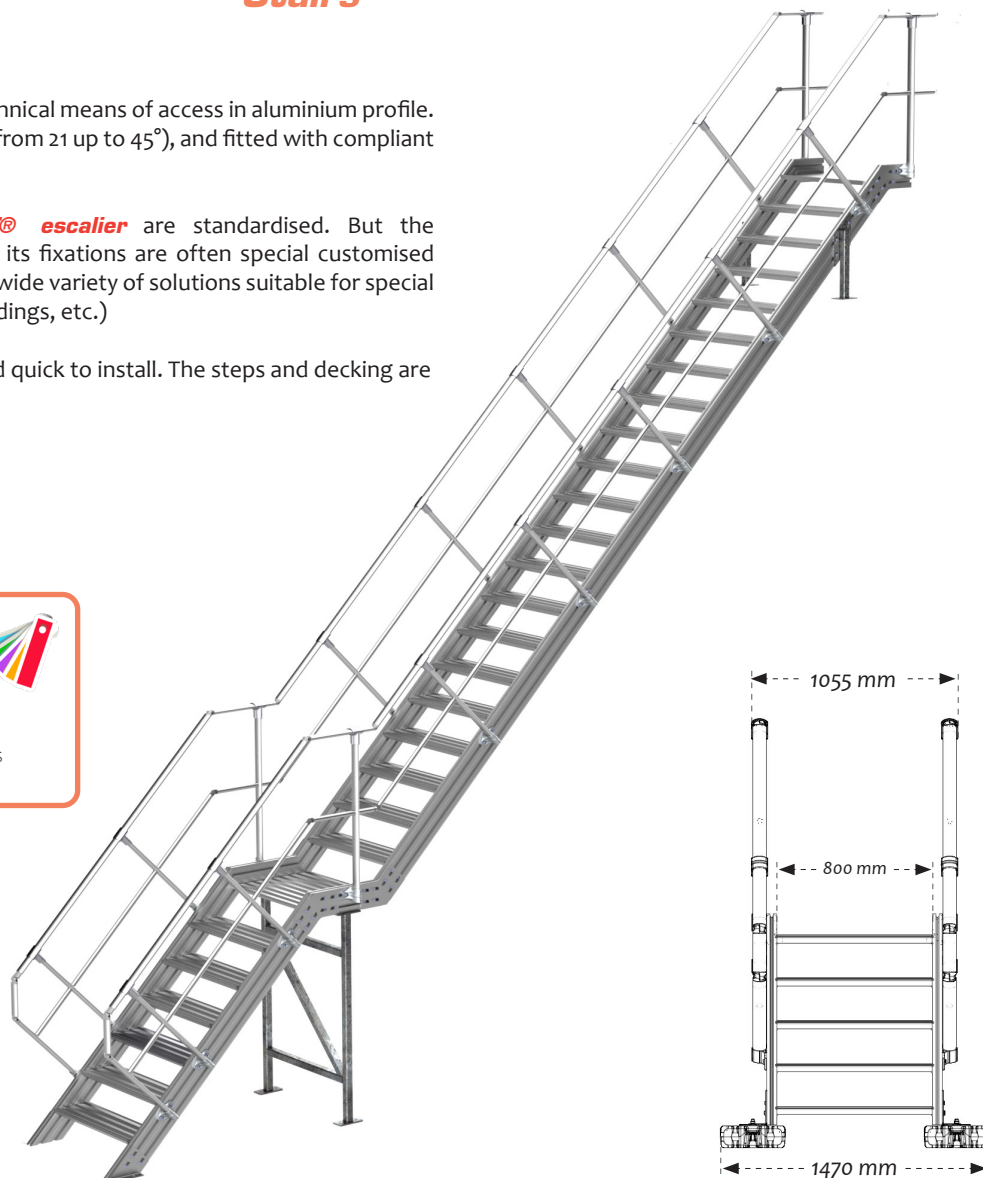
SECURITOT® escalier is lightweight and quick to install. The steps and decking are fitted with non-slip spikes.

Details:

Material : Aluminium

Finish : Raw, anodised or powder-coated

Setup: Delivered with manuals and drawings available online at: <http://extranet.somain.fr>



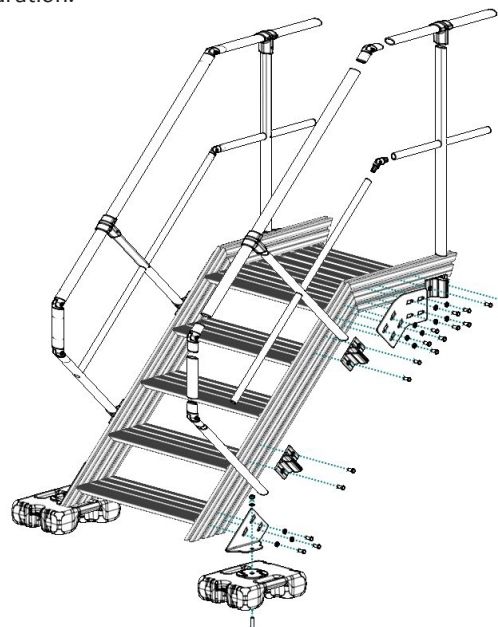
+ Step ladder

We make customised 45° up to 70° ladders.



Options

The **SECURILISSE®** guardrails can be adapted over the entire length of **SECURITOT®** gangways and staircases. It can be added on one or both sides depending on the location configuration.



Special configurations

SECURITOT® is a range of devices including gangways and stairs that are fully compatible with each other.

This compatibility allows an area to be brought up to code as a whole, regardless of changes in slopes and levels.

