

Eco gangway

Description:

The **SECURITOIT® eco** gangway is a collective technical means of access in aluminium profile.

Suitable for all types of roof, this gangway is available in widths of 600 and 800 mm and can accommodate a railing that complies with standards (NF E 85 015 & EN ISO 14122-3) on one or both sides. The aluminium profile stringers allow spans of up to 3m (for longer spans: please contact us).

Details:

Material: Aluminium

Finish: Raw, anodised or powder-coated

Setup: Delivered with manuals and drawings available online at: <http://extranet.somain.fr>



• **Width:** 600 mm

REF : 101341

Gangway 1.50 m

REF : 101342

Gangway 2.00 m

REF : 101343

Gangway 3.00 m

• **Width:** 800 mm

REF : 101344

Gangway 1.50 m

REF : 101345

Gangway 2.00 m

REF : 101346

Gangway 3.00 m

✓ Advantages

SECURITOIT® eco is a lightweight gangway and quick installation. The decking is non-slip..

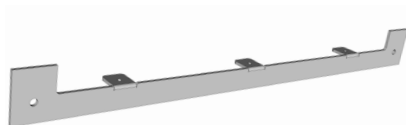
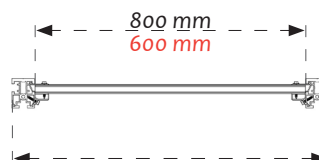
SECURITOIT® is a range of devices including gangways and stairs that are fully compatible with each other. This compatibility allows an area to be brought up to code as a whole, regardless of changes in slopes and levels.

⋮ Options

Available in a standard version to which the **SECURILISSE®** railing can be adapted.

i Additional information

As standard, **SECURITOIT® eco** is available in 2 widths: 600 and 800 mm.

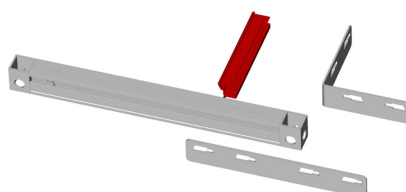


REF : 101360

Open end 600 mm.

REF : 101361

Open end 800 mm.

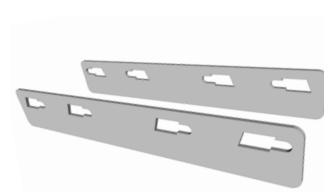


REF : 101356

Angle fitting kit.
Width: 600 mm

REF : 101357

Angle fitting kit.
Width: 800 mm.



REF : 101351

Pair of gangway connectors.

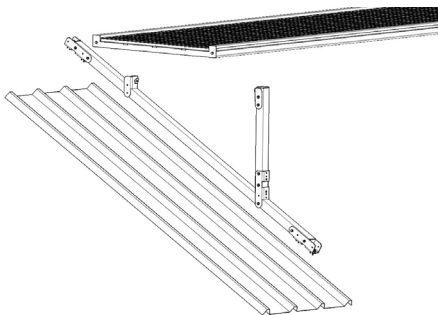
Fastening

SOMAIN has developed specific fixing systems to install the **SECURITOT® eco** gangway.



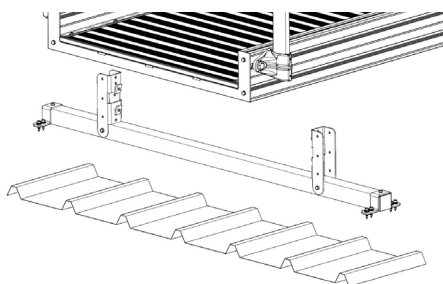
On steel decks

Fixing when the gangway is perpendicular to corrugations.
Roof inclination: mini 5° / maxi : 25°



REF : 101374

Slope adjustment support for steel decks.
To be installed at 3 metre distance.
Roof inclination: min 5° / max 25°



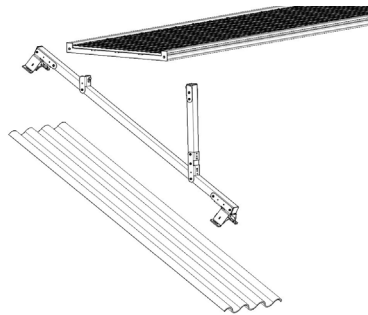
REF : 101371

Fixing when the gangway is in the waves direction.



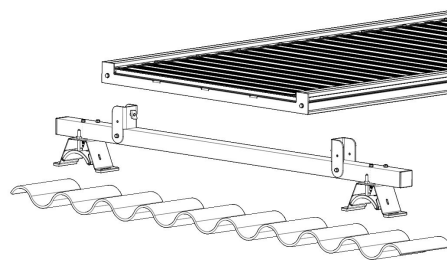
On fibro concrete

Fixing when the gangway is perpendicular to corrugations.
Roof inclination: mini 5° / maxi : 25°



REF : 101372

Slope adjustment support for fibre cement roofs.
To be installed at 3 metre distance.
Roof inclination: min 5° / max 25°



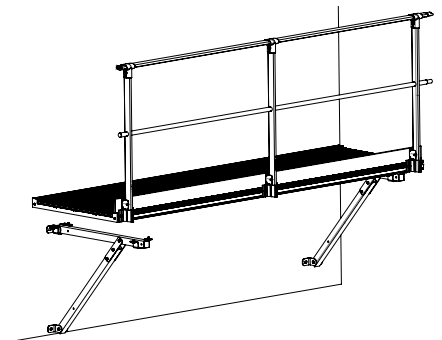
REF : 101368

Fixing when the gangway is in the waves direction.

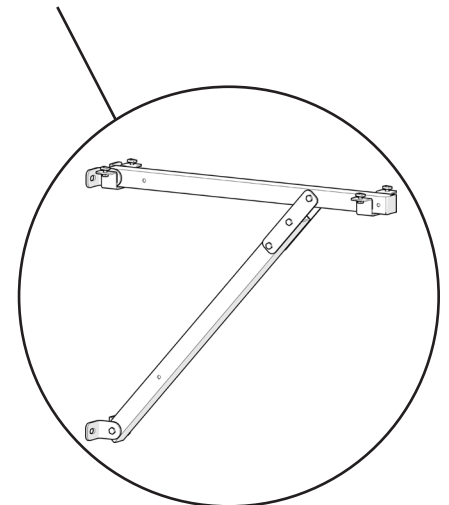


Wall mounting

To attach the walkway to a vertical support.



REF : 102259



Brackets for wall mounting.