

Face-fixed with a stainless steel “grip”

Description:

The **SECURILISSE® gabion** allows the securing of working areas delimited by walls or slopes equipped with welded mesh grids.

Face fixing simplifies the installation of **SECURILISSE® gabion**. Fixing is done during tightening: a stainless steel «claw» closes on the vertical steel ring of the grid.

Details:

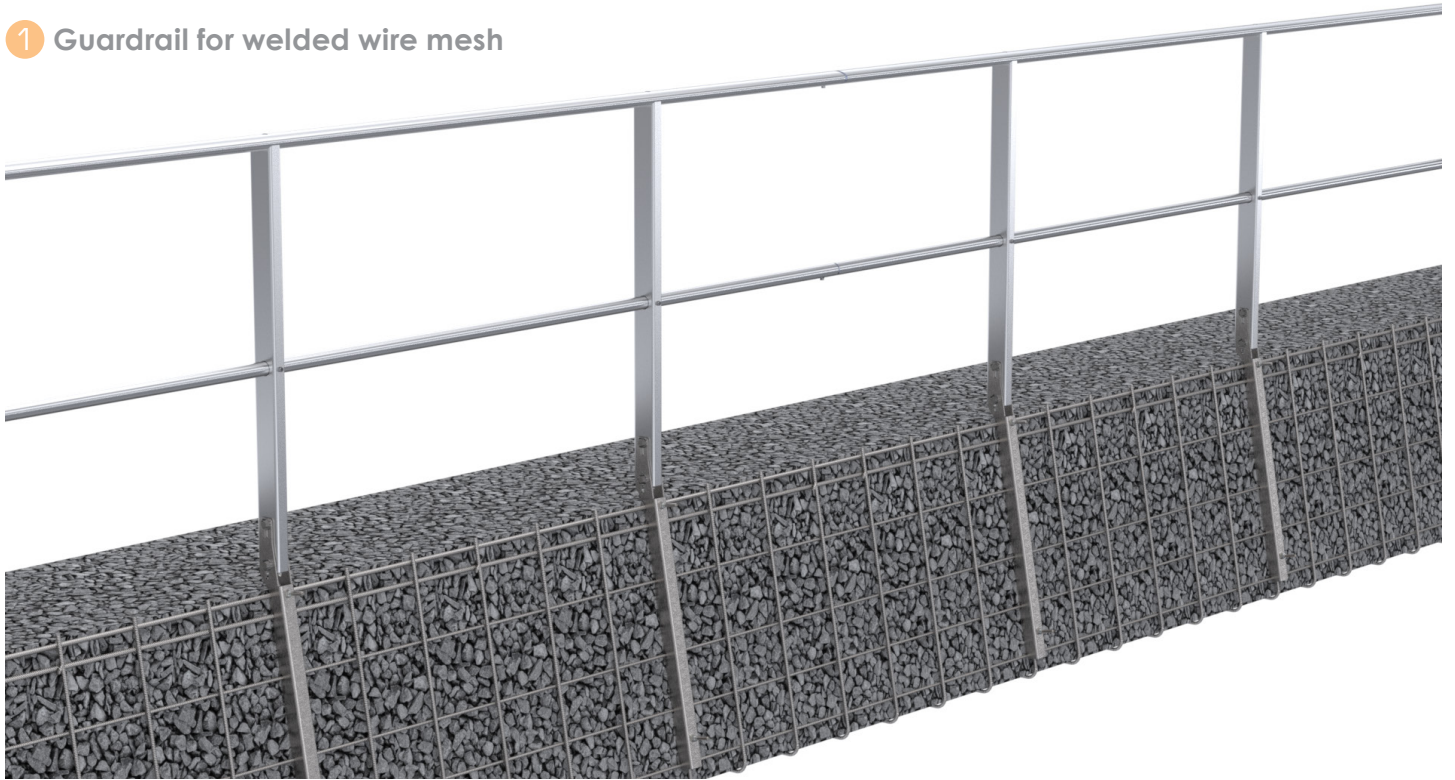
Material: Aluminium

Finish : Raw, anodised or powder-coated

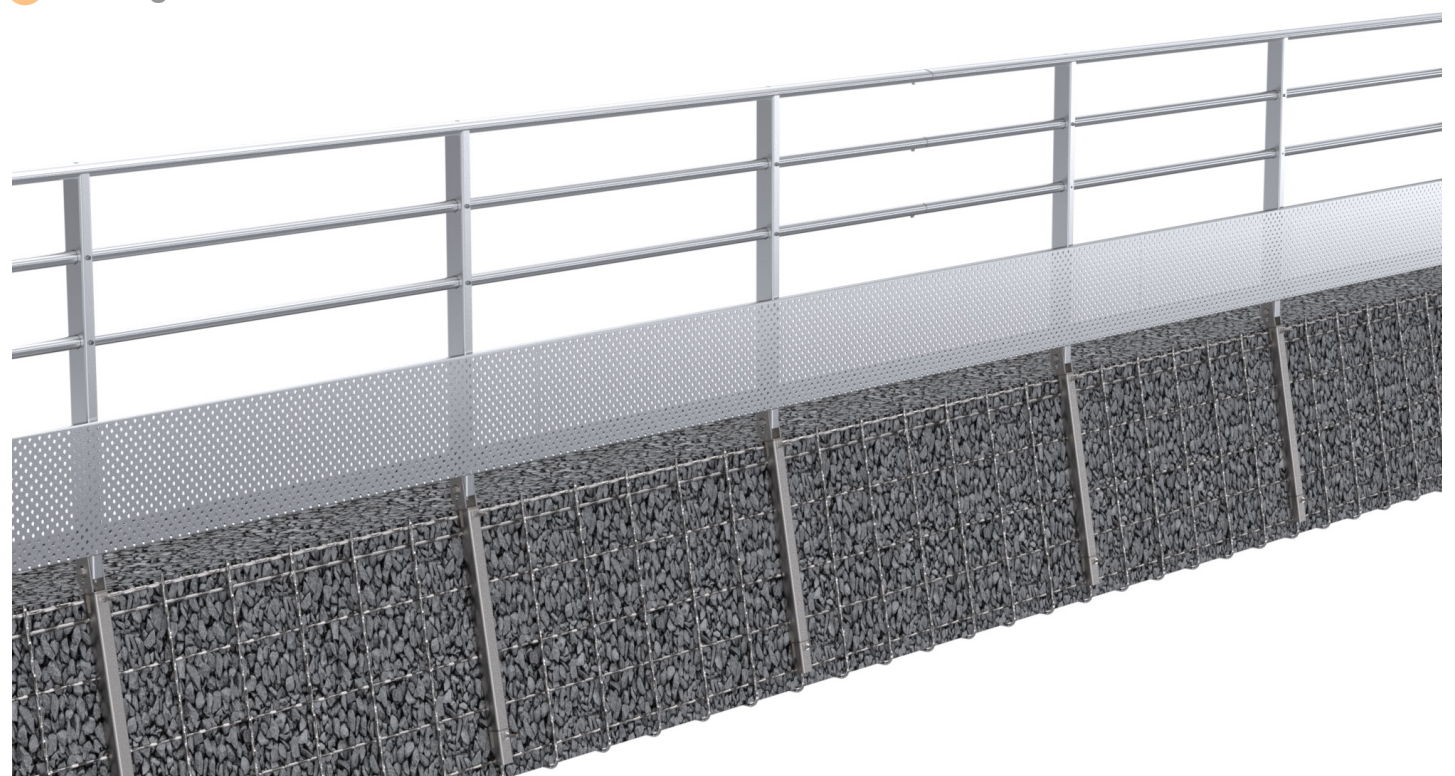
Setup : Delivered with manuals and drawings available online at: <http://extranet.somain.fr>



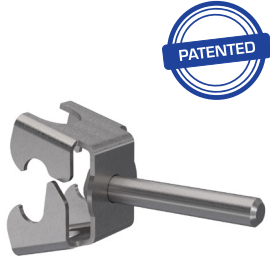
1 Guardrail for welded wire mesh



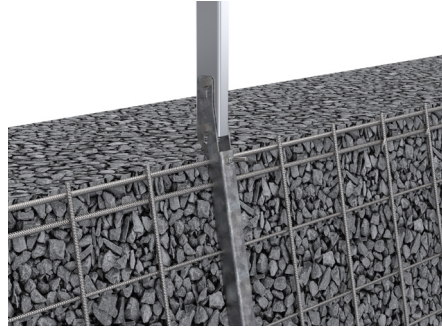
2 Public guardrail version



Fixing system:



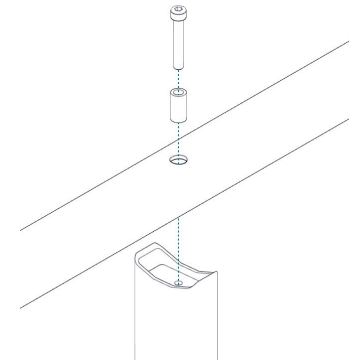
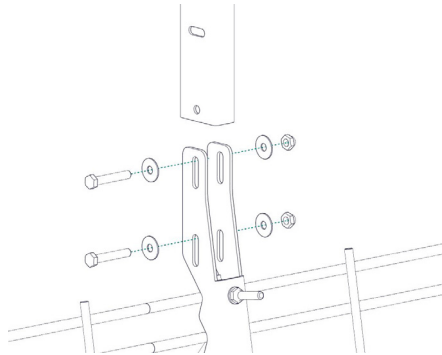
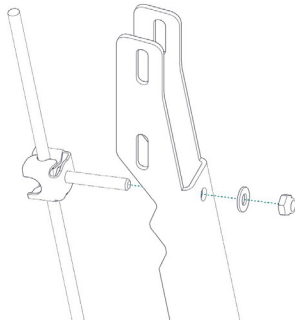
Stainless steel fixing claw.
This part deforms when clamped to squeeze the vertical steel ring of the mesh. It fixes the guardrail support.



Upright/support connection.
The aluminium upright is bolted to the galvanised steel support.



Handrail fixation.
The fixing is done without protruding parts by a stainless steel CHC screw.



Elements:



Special base
Galvanised steel part.
Dimensions: tailor-made
Spacing: tailor-made



Upright
Rectangular aluminium profile.
Dimensions: 70 X 35 mm
Thickness : 3 mm.
Length: tailor-made



Handrail
Oval aluminium profile.
Dimensions: 72 X 35 mm
Thickness : 3 mm
Length: tailor-made



Midrail
Round aluminium profile.
Dimensions: Ø 35 mm
Thickness : 2 mm.
Length: tailor-made