

Forged stainless steel anchor point

Description:

SECURIFIX® inox forgé is a fall arrester system to secure an area inaccessible to the public where there is a risk of falling.

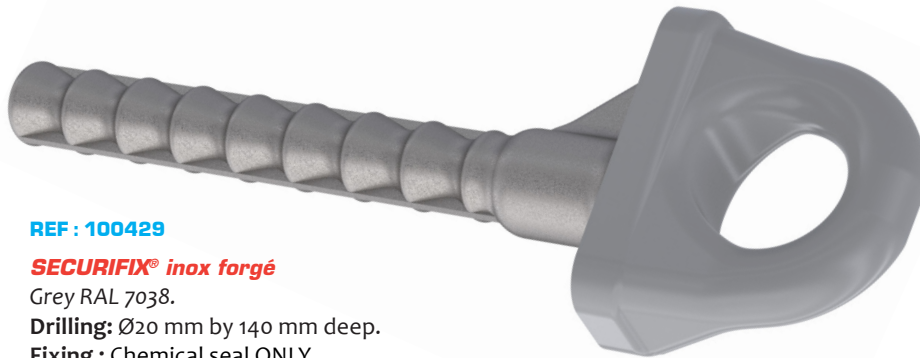
SECURIFIX® inox forgé is used with compliant PPE (lanyard, retractor, etc.). It can be installed on any concrete support.

Details:

Material : Forged 316L stainless steel

Finish : Powder-coated ring

Setup: Delivered with manuals and drawings available online at: <http://extranet.somain.fr>



REF : 100429

SECURIFIX® inox forgé

Grey RAL 7038.

Drilling: Ø20 mm by 140 mm deep.

Fixing : Chemical seal ONLY.

✓ Advantages

The **SECURIFIX® inox forgé** is the ideal anchor point when the aesthetics of the building must be preserved (example: listed building). Non-deformable and guaranteed for 10 years, it supports up to 1 user.

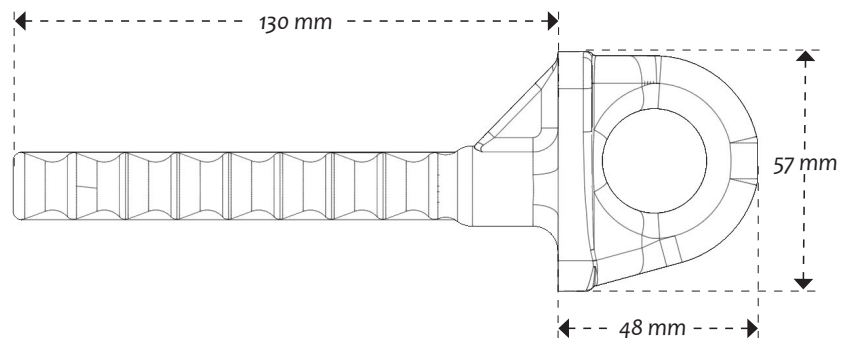
i Additional information



REF : 100870

Signage poster: mandatory wearing of PPE, to be installed at each access to the protected zone.

Available, on request, in the language of your choice with the possibility to insert your logo.



Forged galva single anchor

SECURIFIX® galva forgé is a fall arrester system to secure an area inaccessible to the public where there is a risk of falling.

SECURIFIX® galva forgé is used with compliant PPE (lanyard, retractor, etc.). It can be installed on any concrete support.

Details :

Material : Forged steel

Finish : Powder-coated

Setup : Delivered with manuals and drawings available online at: <http://extranet.somain.fr>



REF : 100078

Single anchor point **SECURIFIX® galva forgé**

Drilling: 18mm by 120mm deep.

Fixing: Chemical seal ONLY.

✓ Advantages

The **SECURIFIX® galva forgé** is one of the economical anchor points of the **SECURIFIX®** range. Non-deformable, it supports up to 1 user.

i Additional information



REF : 100870

Signage poster: mandatory wearing of PPE, to be installed at each access to the protected zone.

Available, on request, in the language of your choice with the possibility to insert your logo.

