

Aluminium anchor

Description:

SECURIFIX® alu is a fall arrester system to secure an area inaccessible to the public where there is a risk of falling.

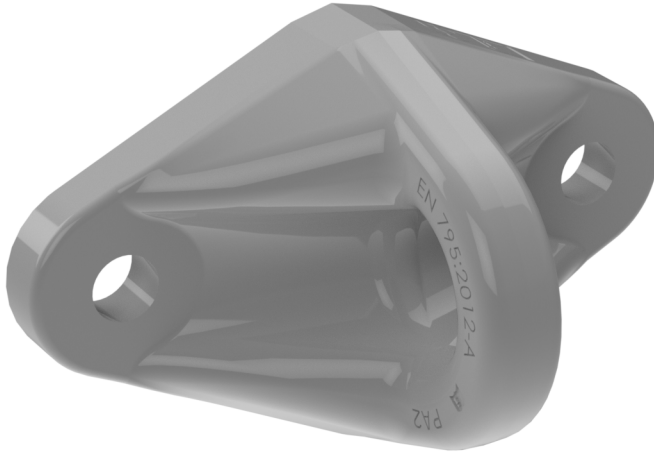
SECURIFIX® alu is used with compliant PPE (lanyard, retractor, etc.). It can be installed on all concrete, wood or metal supports. In the event of specific constraints, our design office will be able to devise an appropriate solution.

Details:

Material: Aluminium

Finish: Micro-blasted or powdercoated

Setup: Delivered with manuals and drawings available online at: <http://extranet.somain.fr>



REF : 100423

SECURIFIX® alu grey RAL 7038.

Fixing : 2 M12

Spacing: 100 mm

REF : 100077

SECURIFIX® alu micro-blasted.

Fixing : 2 M12

Spacing: 100 mm

✓ Advantages

The **SECURIFIX® alu** is our reference anchor point. Recognised worldwide for its quality by construction companies.

Largely dimensioned, with a double M12 fixing dowel, it can be used in all positions. It supports up to 3 users simultaneously.

As a result of its attractive and discreet design, it has been installed on high-ranking and prestigious monuments.

⋮ Options

Available with support made of galvanised or stainless steel. Specific RAL colour upon request.

Our design office is at your disposal to offer you tailor-made solutions for each situation..

i Additional information

REF : 100870
Signage poster: mandatory PPE, to be installed at each access to the protected zone.
Available, on request, in the language of your choice with the possibility to insert your logo.

