

## Lifeline with reinforced shock absorber

### Description:

When enough collective protection cannot be provided for work at heights, the lifeline is the right solution ensuring absolute safety.

**SECURIFIL® renforcée** is used with a simple EN 362 compliant connector, no special trolley or slider is required.

### Details:

**Material:** 304L stainless steel or stainless steel 316 L



**Finish:** Raw or powder-coated

**Setup:** Delivered with manuals and drawings available online at: <http://extranet.somain.fr>



### ✓ Advantages

**SECURIFIL® renforcée** is guaranteed for 10 years.

**SECURIFIL® renforcée** can be installed on all types of supports and roofs.  
If your case presents specific constraints, our design office will be able to propose an appropriate solution.

**SECURIFIL® renforcée** is ideal for centre-to-centre distances of more than 15 m.

In the event of specific constraints, our design office is able to offer you the appropriate solution.

In accordance with the standard, a software program for calculating forces is available on our extranet ([extranet.somain.fr](http://extranet.somain.fr))

### ⋮ Options

Available with galvanised or stainless steel supports.

Specific RAL colour on request (Only available for stainless steel).

Our design office is at your disposal to offer you tailor-made solutions for each situation.

**+ Elements**

All **SECURIFIL® renforcée** lifelines consist of these elements.



**REF : 100145**

Stainless steel tip, 4 holes

**Fastening:** M12 or by welding on metal structure.

**Spacing:** 100 x 80 mm

Adaptable on metal structure, special support of our supply.



**REF : 100148**

Stainless steel intermediate, positioned every 25 meters maximum.

**Fastening:** M12 or by welding on metal structure.

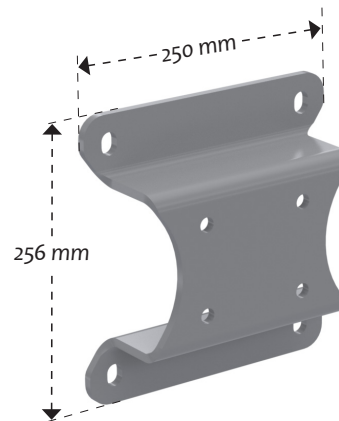
**Spacing:** 72 mm

Adaptable on metal structure, concrete support, special support of our supply.



**REF : 100484**

Reinforced stainless steel energy absorber with clevis, installed at one end of the lifeline, reduces stress in case of fall.

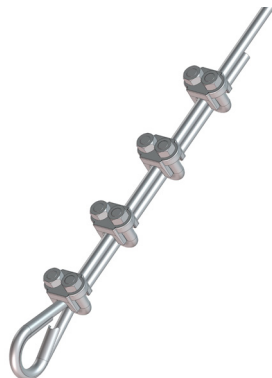


**REF : 102185**

Adjustment plate for mounting on concrete.

**Fastening:** M12

**Spacing:** 200 mm

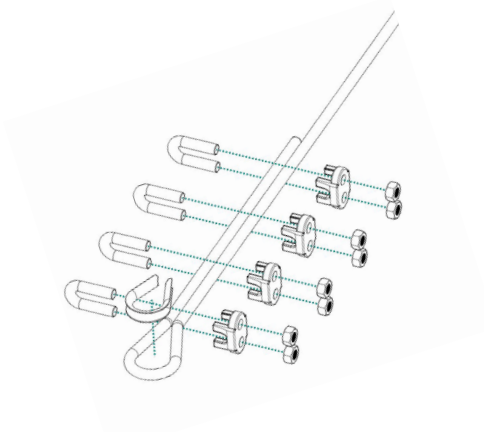


**REF : 100483**

Set of 4 cable clamp and a stainless steel wire thimble.

The jumpers must be installed on the side of the dead strand with a gap of about 8 cm.

This system is used at both ends of the cable on a reinforced lifeline.



**+ Elements**

All **SECURIFIL® renforcée** lifelines consist of these elements.



**REF : 100150**

Stainless steel cable.  
Diameter 12 mm 7 x 19.



**REF : 100149**

Reinforced stainless steel clevis/clevis tensioner allows adjusting the tension of the lifeline during installation.



**REF : 100124**

SOMAIN Sealing.  
Attaches to tensioner to prevent cable tension from changing.  
Traceability by a unique serial number.



**REF : 102128**

Raw aluminium plate for mandatory poster.



**REF : 100886**

Signage poster: mandatory wearing of PPE, to be installed at each access to the lifeline.