

## Lifeline for wind turbine

### Description:

**SECURIFIL® verticale éolienne** is a lifeline designed to secure vertical movements. It is suitable for confined spaces where the cable is in a central position.

**SECURIFIL® verticale éolienne** is exclusively used with a mobile fall arrester supplied by SOMAIN. This is connected to the user's harness and locks on the cable if the user falls.

### Details:

**Material:** Zinc-plated steel / aluminium

**Setup:** Delivered with manuals and drawings available online at: <http://extranet.somain.fr>

### ✓ Advantages

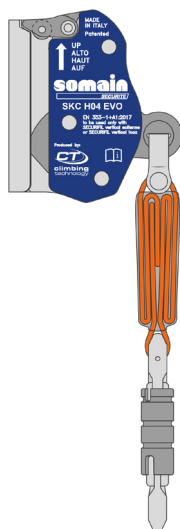
The **SECURIFIL® verticale éolienne** lifeline must be installed on the access ladder on the wind turbine tower. The upper-end part it is fastened onto 3 rungs.

If your case presents specific constraints, our design office will be able to propose an appropriate solution.

### ⋮ Options

Available in Available in a stainless / Aluminium version for offshore wind tower ladder or outdoor use.

### i Additional information

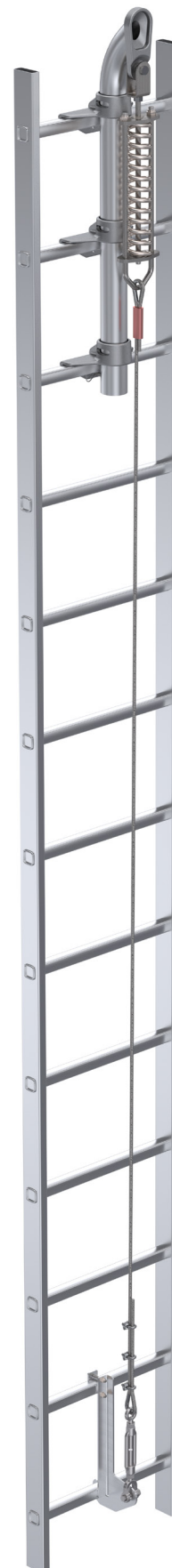


**REF : 102397**

#### Exclusive mobile fall arrester: SKC H04 EVO

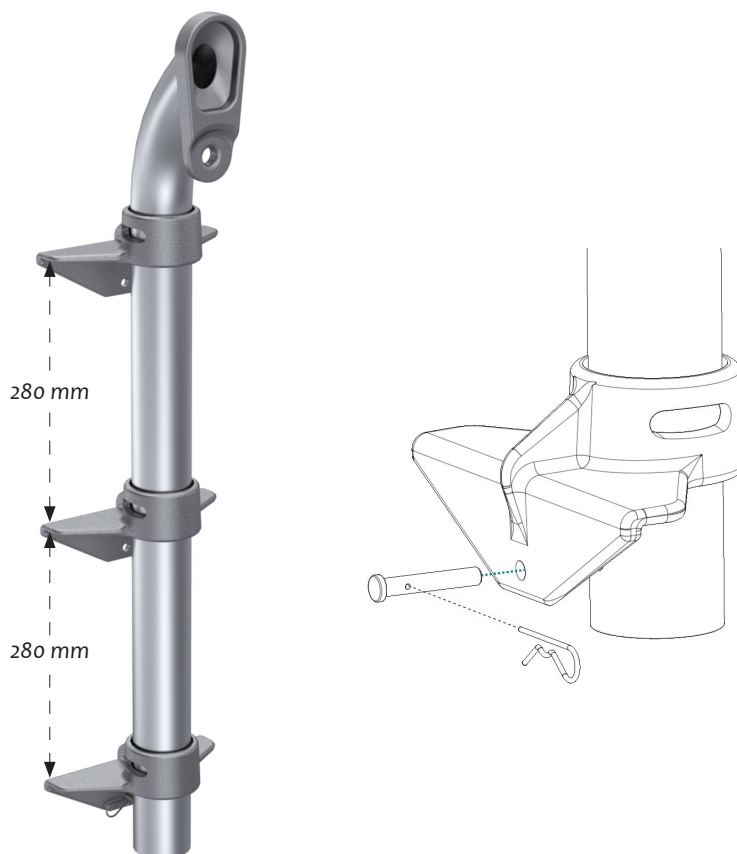
Designed for use on **SECURIFIL® verticale inox** lifeline, with a 8mm diameter galvanized cable.

Includes an energy absorber and a triple action and anti-reversal carabiner for more security. For a user of 50 to 140 kg maximum.



**+** Elements

All **SECURIFIL® verticale eolienne** lifelines consist of the following elements.



**REF : 101803**

Aluminium upper-end part for rung 30 X 30 mm.  
For different rung sizes or spacing: ask us for advice.



**REF : 100640**

Galvanised tensioner.

**REF : 100155**

Stainless steel tensioner.



**REF : 101996**

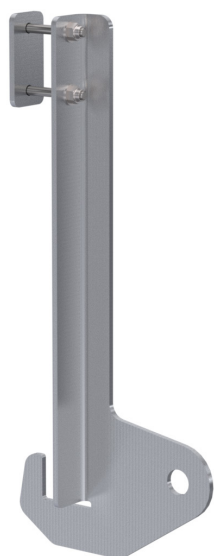
Zinc-plated absorber with clevis.

**REF : 100481**

Stainless steel absorber with clevis.

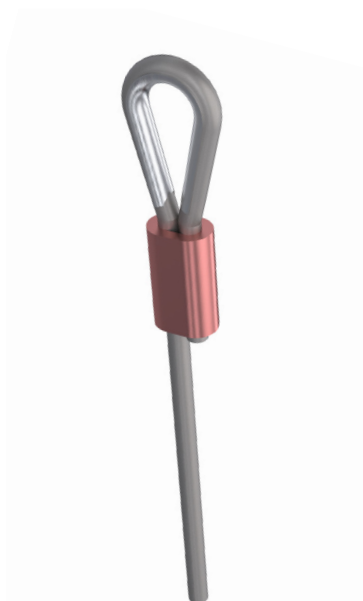
## + Elements

All **SECURIFIL® verticale eolienne** lifelines consist of the following elements.



**REF : 100637**

Aluminium lower-end part.  
Fixation over 2 rungs.



**REF : 100646**

Crimping set aluminium + zinc-plated rope thimble.

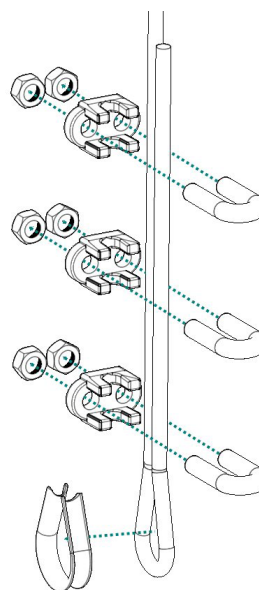
**REF : 100478**

Copper crimping set + stainless steel rope thimble.



**REF : 100645**

Set of 3 cable clamps + galvanised rope thimble.



**REF : 100477**

Set of 3 cable clamps + stainless steel rope thimble.

**+ Elements**

All **SECURIFIL® verticale eolienne** lifelines consist of the following elements.



**REF : 100631**  
Galvanised cable diameter 8 mm 7 x 19.

**REF : 100150**  
Stainless steel cable diameter 8 mm 7 x 19.

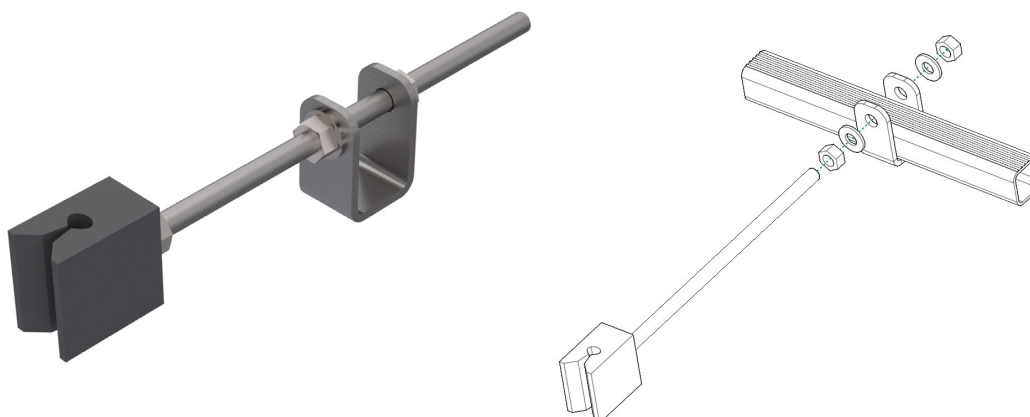


**REF : 102122**  
Mandatory poster : wearing of PPE, to be installed at each access to the lifeline.

Available, on request, in the language of your choice with the possibility to insert your logo.



**REF : 102128**  
Raw aluminium plate for mandatory poster.



**REF : 100639**  
Intermediate stainless steel cable guide.