

Top mounting

Description:

The **SECURILISSE® evo GCE-P** is a collective system against falls from heights, designed for roofs that are inaccessible to the public and for a top mounting installation.

Details:

Material: Aluminium

Finish : Raw, anodised or powder-coated

Available Version : Straight or inclined

Setup : Delivered with manuals and drawings available online at: <http://extranet.somain.fr>

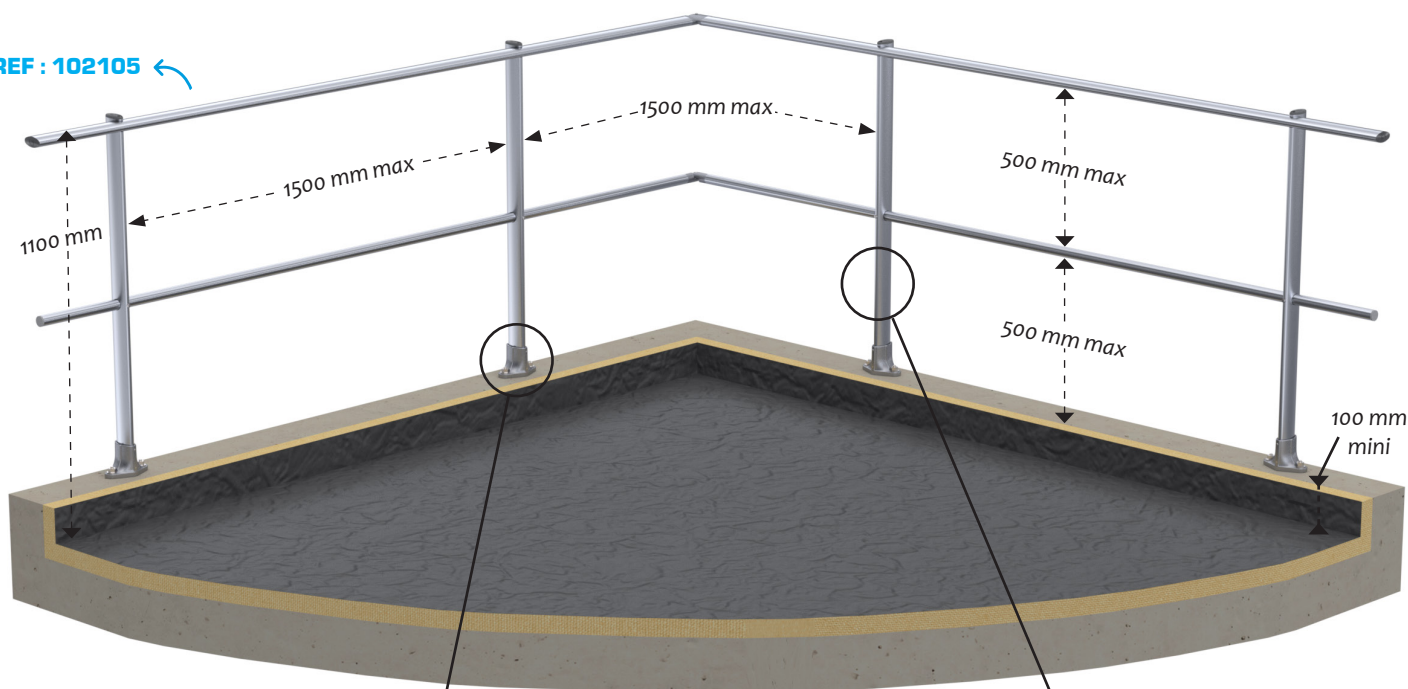


GCE-DP (straight)

1 Straight guardrail with midrail: GCE-DP2

The **SECURILISSE® evo GCE-DP2** is used to mount a 100 to 570 mm high parapet.

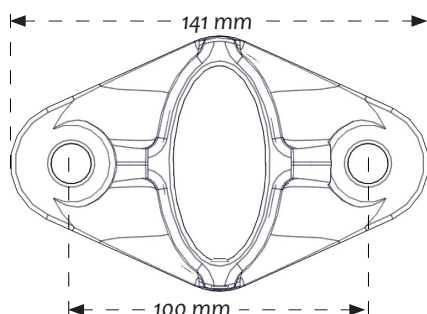
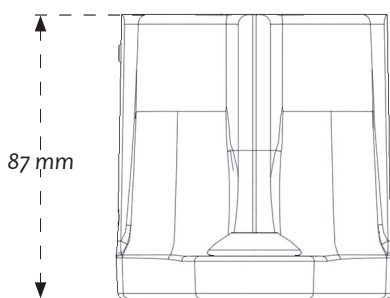
REF : 102105 ←



REF : 100253
 Base for top mounting.
Fixing: 2 M12
Spacing: 100 mm



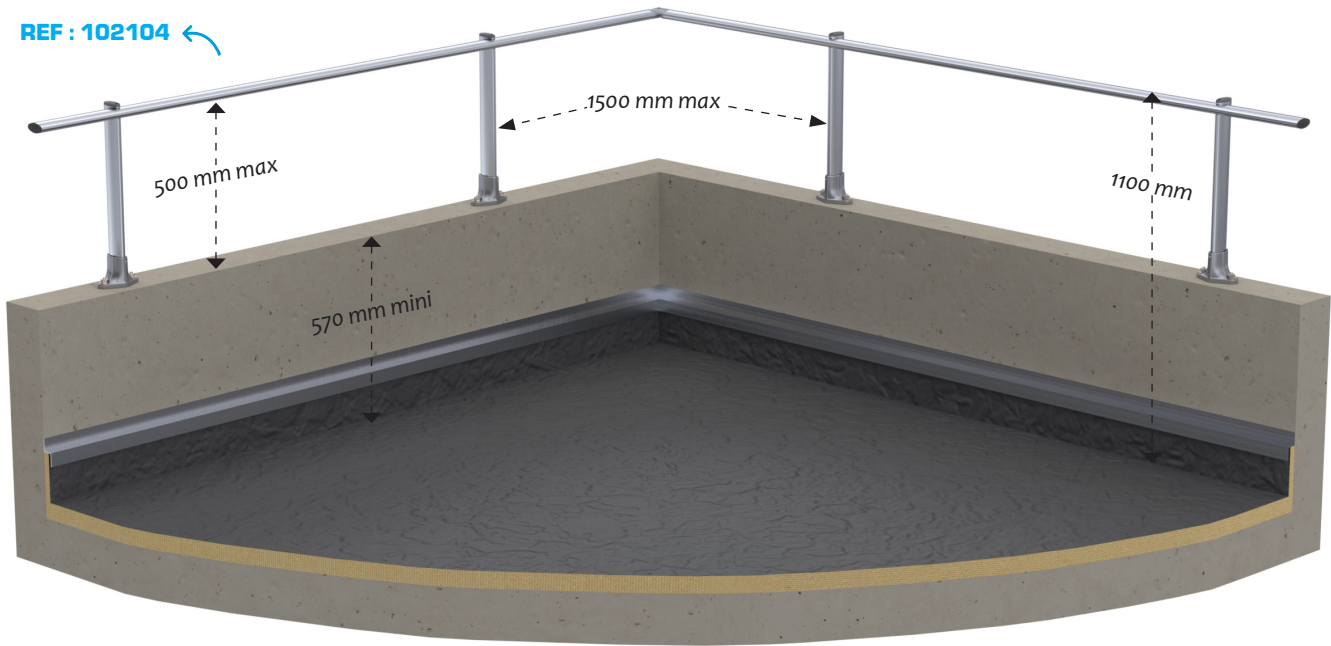
REF : 102331
 Straight upright with midrail.
 The length depends on the height of the parapet.



REF : 102329
 Straight upright without midrail.
 The length depends on the height of the parapet (higher than 570mm).

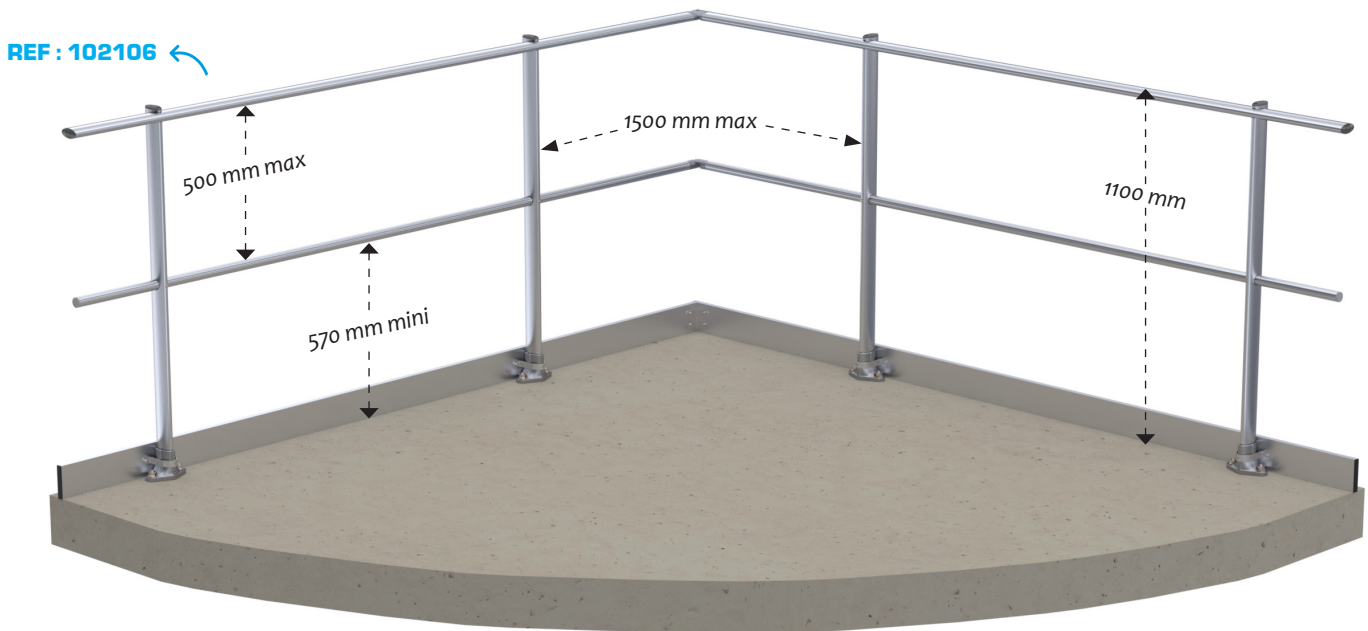
2 Straight guardrail without midrail: GCE-DP1

The **SECURILISSE® evo GCE-DP1** is used to mount on a parapet higher than 570 mm.



3 Straight Guardrail with midrail and plinth: GCE-DP3

The **SECURILISSE® evo GCE-DP3** is suitable for work areas without a parapet. The standard then requires the installation of a plinth.

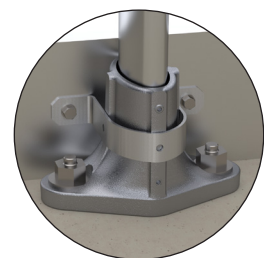


REF : 102331
Standard straight upright.

Plinth accessory:



REF : 100559
Plinth fixation for GCE-DP3.
With a parapet of less than 100 mm.



Top mounting

Description:

The **SECURILISSE® evo GCE-P** is a collective system against falls from heights, designed for roofs that are inaccessible to the public and for a top mounting installation. The 30-degree inclined version is chosen for aesthetic reasons as it is less visible from the ground.

Details:

Material: Aluminium

Finish: Raw, anodised or powder-coated

Available version: Straight or inclined

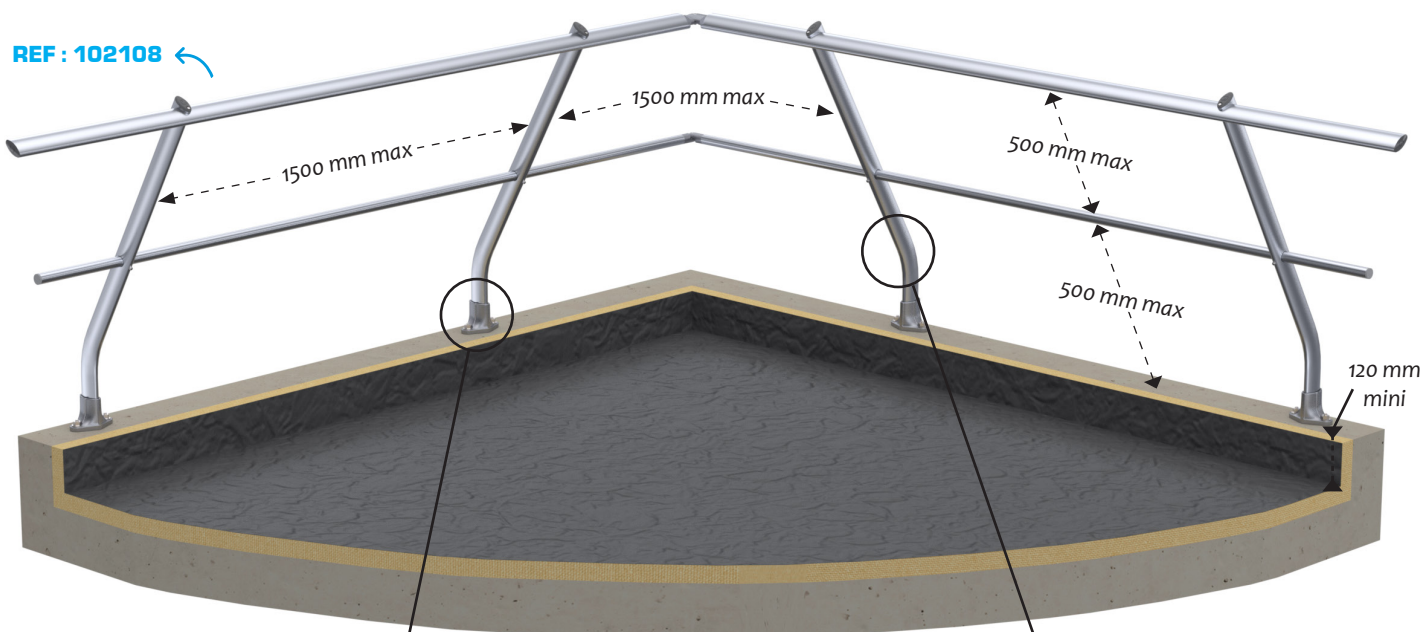
Setup: Delivered with manuals and drawings available online at: <http://extranet.somain.fr>



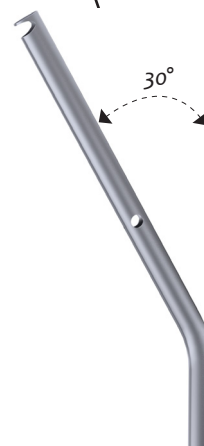
GCE-IP (inclined)

1 Inclined guardrail with midrail: GCE-IP2

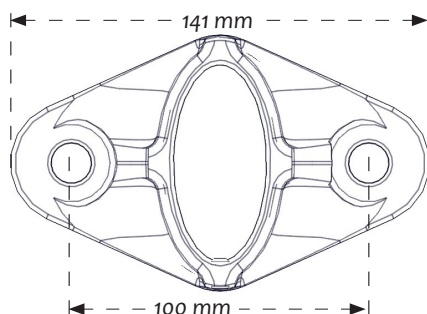
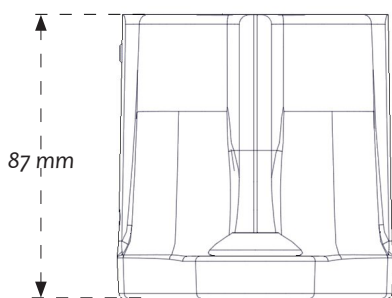
The **SECURILISSE® evo GCE-IP2** is used to mount on a 120 to 570 mm high parapet.



REF : 100253
Base for top mounting.
Fixing: 2 M12
Spacing: 100 mm



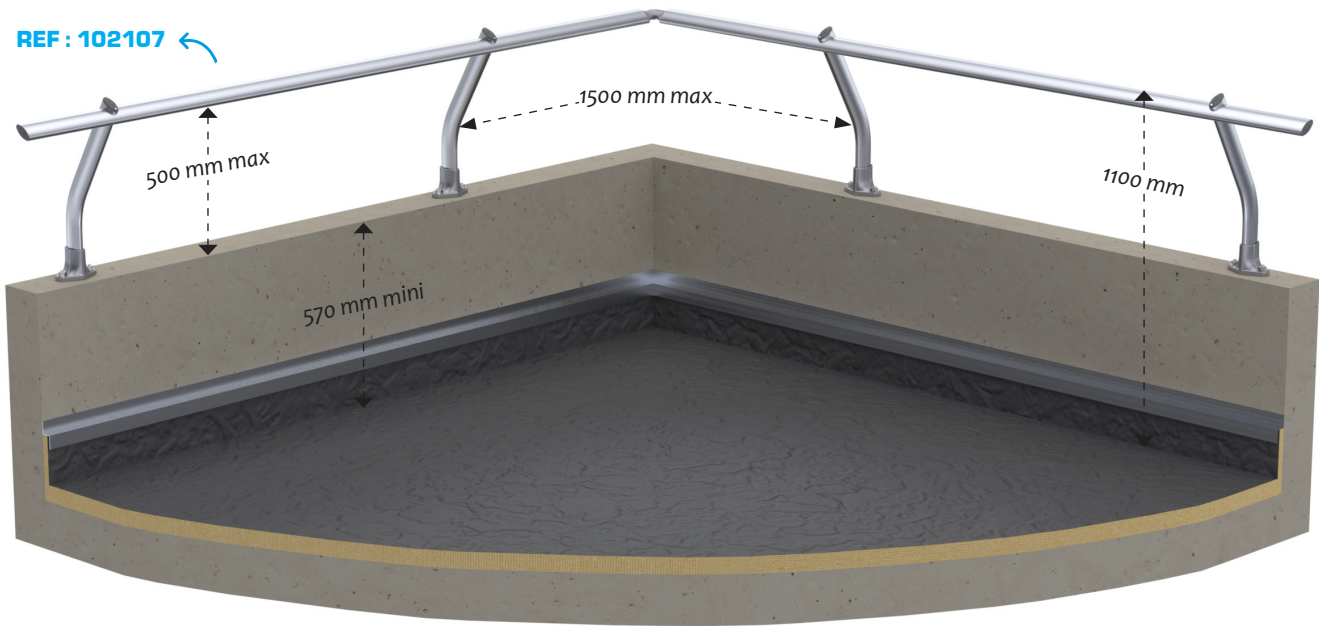
REF : 102332
Inclined upright with midrail.
The length depends on the height of the parapet.



REF : 102330
Inclined upright without midrail.
The length depends on the height of the parapet (higher than 570mm).

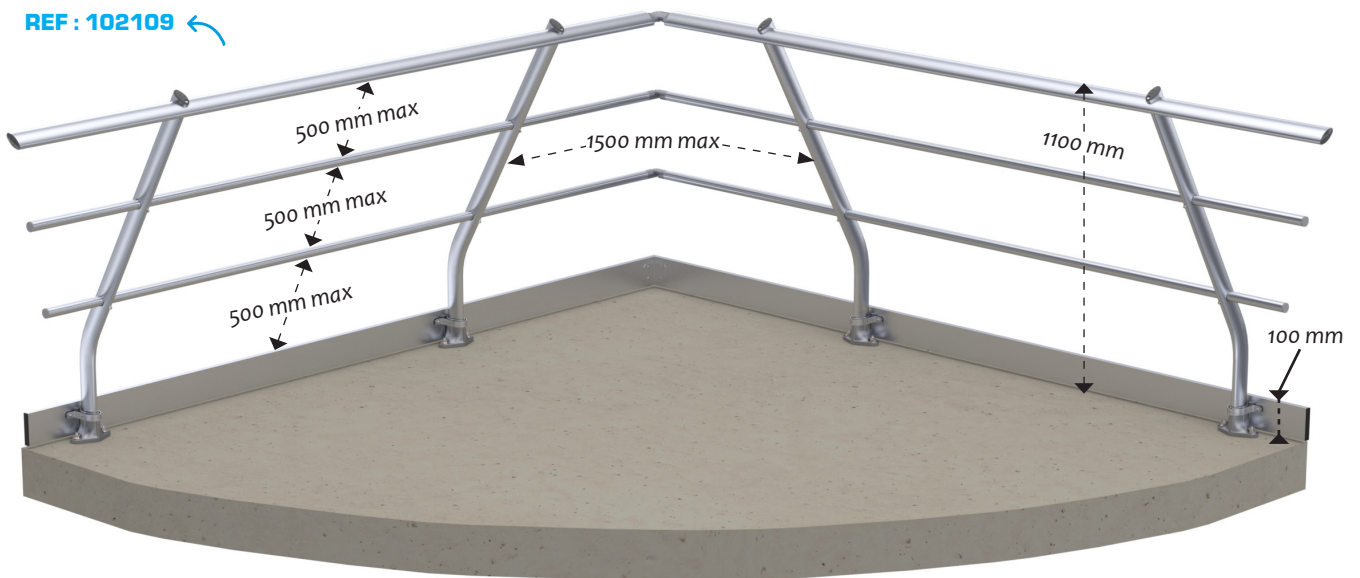
2 Inclined Guardrail without midrail: GCE-IP1

The **SECURILISSE® evo GCE-IP1** is used to mount on a parapet higher than 570 mm.



3 Inclined guardrail with midrails and plinth: GCE-IP3

The **SECURILISSE® evo GCE-IP3** is suitable for work areas without a parapet. The standard then requires the installation of a plinth.



REF : 102331
Standard inclined upright.

Plinth accessory:



REF : 100559
Plinth fixation for GCE-IP3.
With a parapet of less than 100 mm.

