

Offset face mounting

Description:

The **SECURILISSE® evo GCE-AD** is a collective system against falls from heights, designed for roofs that are inaccessible to the public and for a face mounting installation. This guardrails can be straight or inclined, and can be combined with midrail and plinth.

Details:

Material: Aluminium

Finish : Raw, anodised or powder-coated

Available version : Straight or inclined

Setup : Delivered with manuals and drawings available online at: <http://extranet.somain.fr>

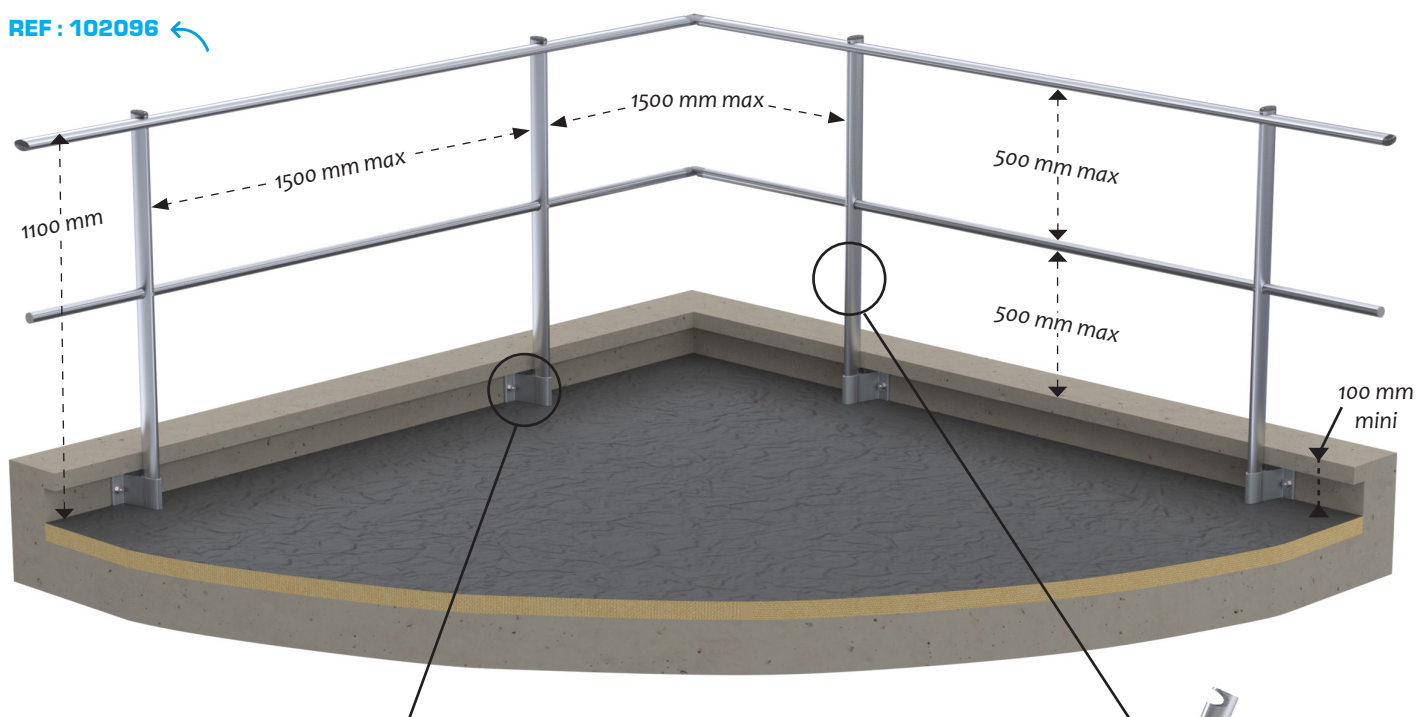


GCE-DAD (straight)

1 Straight guardrail with midrail: GCE-DAD2

The **SECURILISSE® evo GCE-DAD2** is used to mount against a 180 to 570 mm high parapet.

REF : 102096 ←



REF : 101455

Base for offset face mounting.

Fixing: 2 M12

Spacing: 100 mm

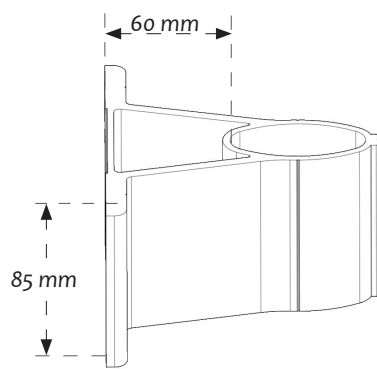
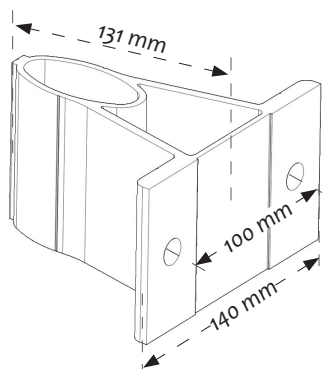


REF : 102331

Straight upright with midrail.
 Length depends on the height of the parapet.

REF : 102329

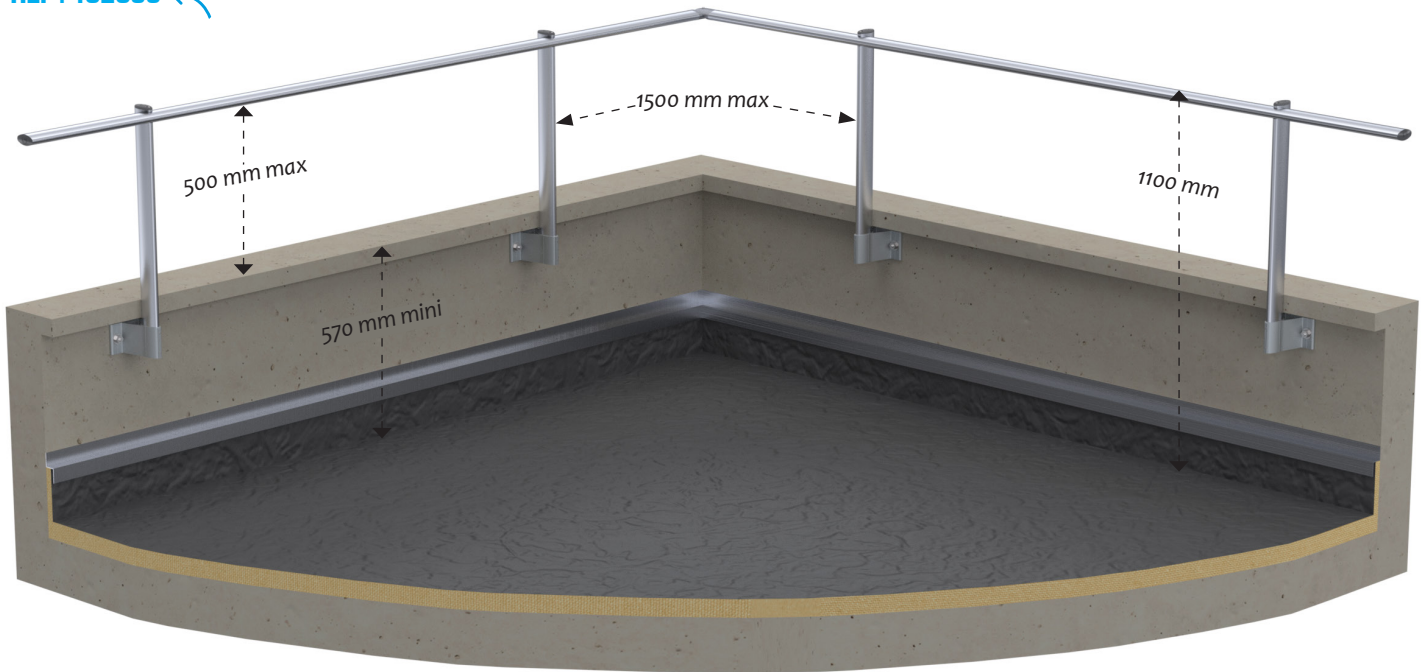
Straight upright without midrail.
 Length depends on the height of the parapet (higher than 570mm).



2 Straight guardrail without midrail: GCE-DAD1

The **SECURILISSE® evo GCE-DAD1** is used to mount against a parapet higher than 570 mm.

REF : 102095 ←



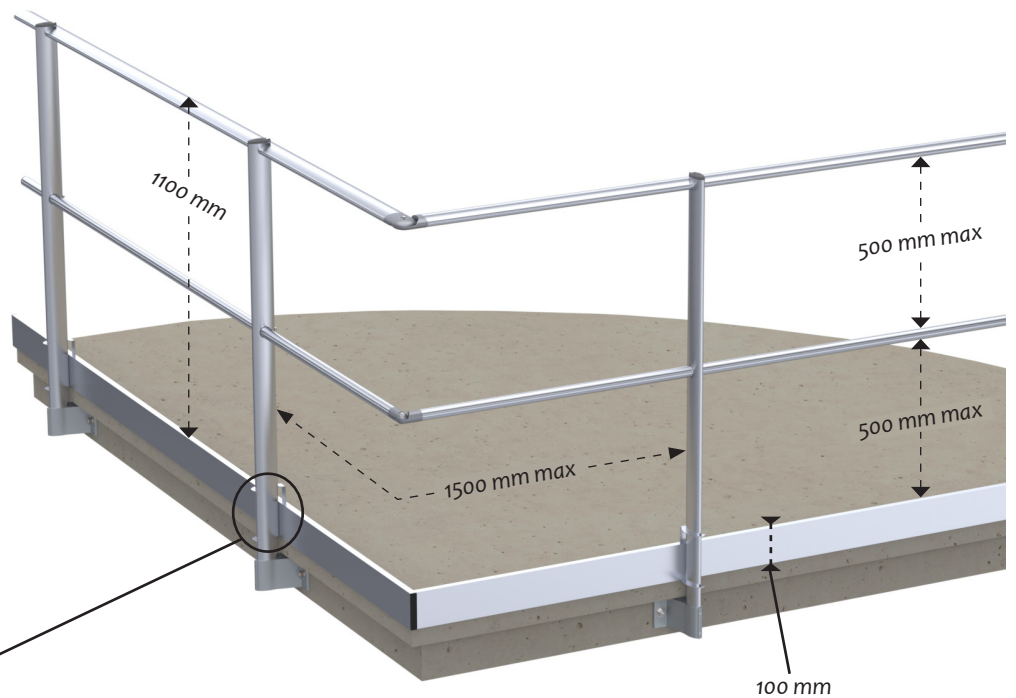
3 Straight guardrail with midrail and plinth: GCE-DAD3

The **SECURILISSE® evo GCE-DAD3** is suitable for work areas without a parapet. The standard then requires the installation of a plinth.

REF : 102097 ←

Plinth accessory:

REF : 100260
Plinth fixation for GCE-AD3.
With a parapet of less than 100 mm.



Offset face mounting

Description:

The **SECURILISSE® evo GCE-A** is a collective system against falls from heights, designed for roofs that are inaccessible to the public and for a face mounting installation. The 30-degree inclined version is chosen for aesthetic reasons as it is less visible from the ground. This guardrails can be combined with midrail and plinth.

Details:

Material: Aluminium

Finish: Raw, anodised or powder-coated

Available version: Straight or inclined

Setup: Delivered with manuals and drawings available online at: <http://extranet.somain.fr>

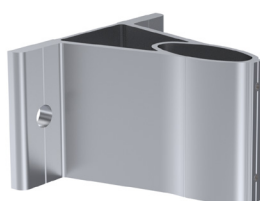
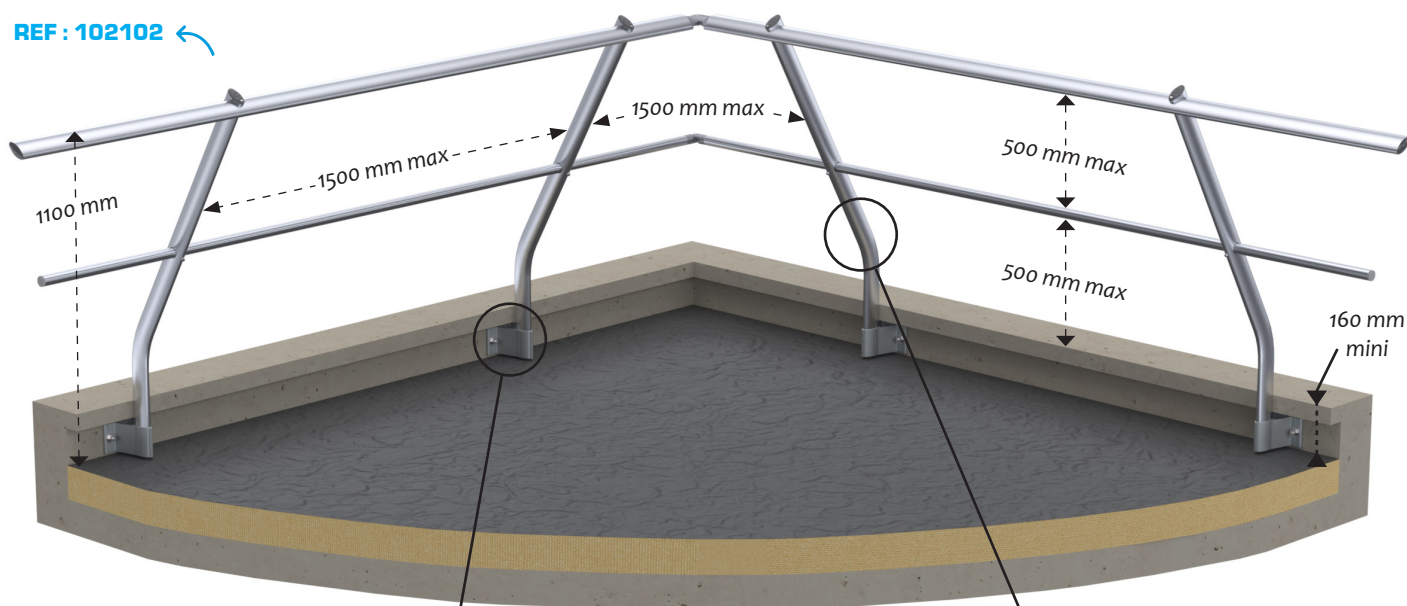


GCE-IAD (inclined)

1 Inclined guardrail with midrail: GCE-IAD2

The **SECURILISSE® evo GCE-IAD2** is used to mount against a 100 to 630 mm high parapet.

REF : 102102 ←



REF : 101455

Base for offset face mounting.

Fixing: 2 M12

Spacing: 100 mm

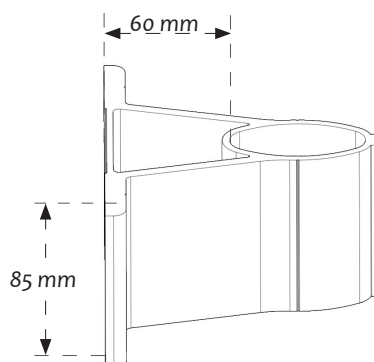
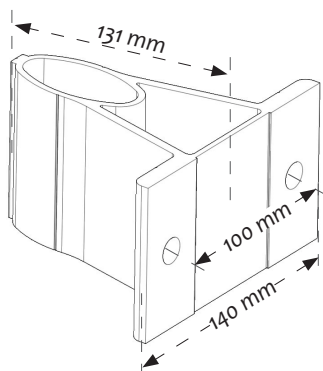


REF : 102332

Straight upright with midrail.
Length depends on the height of the parapet.

REF : 102330

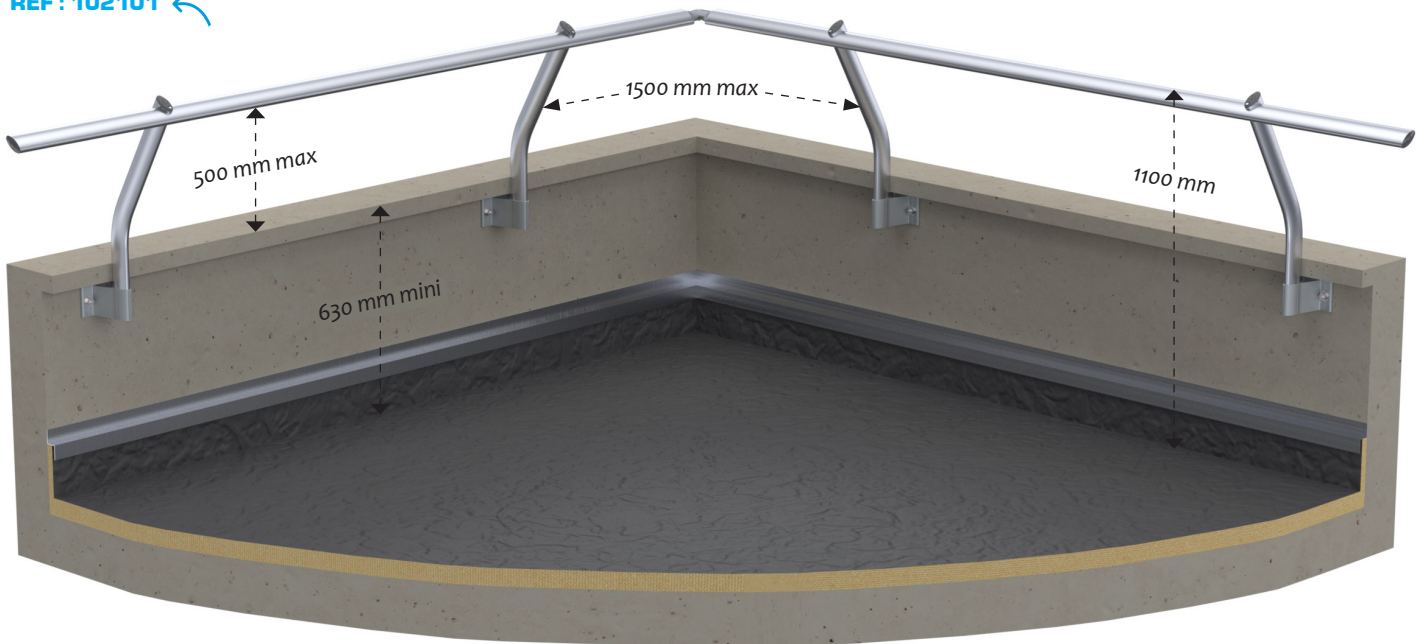
Straight upright without midrail.
Length depends on the height of the parapet (higher than 570mm).



2 Inclined guardrail without midrail: GCE-IAD1

The **SECURILISSE® evo GCE-IAD1** is used to mount against a higher than 630 mm parapet.

REF : 102101 ←



3 Inclined guardrail with midrails and plinth: GCE-IAD3

The **SECURILISSE® evo GCE-IAD3** is suitable for work areas without a parapet. The standard then requires the installation of a plinth.

REF : 102103 ←

Plinth accessory:



REF : 100260

Plinth fixation for GCE-AD3.
With a parapet of less than 100 mm.

