

Face mounting

Description:

The **SECURILISSE® evo GCE-A** is a collective system against falls from heights, designed for roofs that are inaccessible to the public and for a face mounting installation. This guardrails can be straight or inclined, and can be combined with Midrails and plinthds.

Details:

Material: Aluminium

Finish : Raw, anodised or powder-coated

Available version : Straight or inclined

Setup : Delivered with manuals and drawings available online at: <http://extranet.somain.fr>

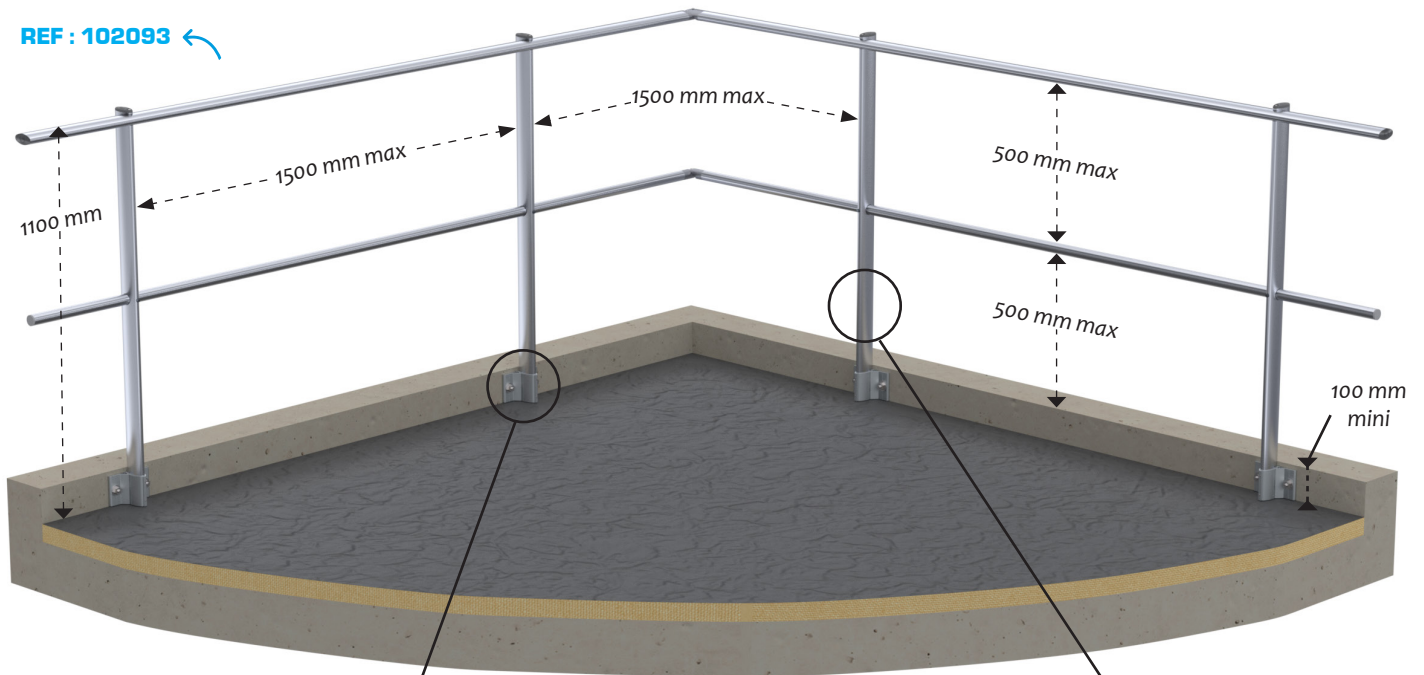


GCE-DA (straight)

1 Straight guardrail with midrail: GCE-DA2

The **SECURILISSE® evo GCE-DA2** is used to mount against a 100 to 570 mm high parapet.

REF : 102093

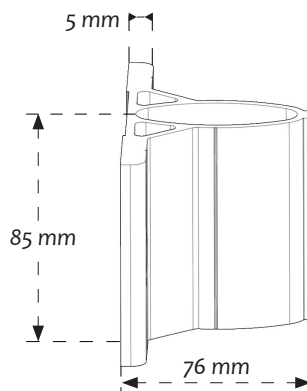
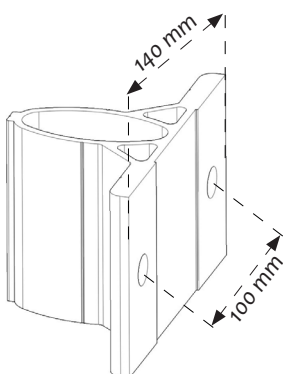


REF : 101640
Base for face mounting.
Fixing: 2 M12
Spacing: 100 mm



REF : 102331
Straight upright with midrail.
Its length depends on the height of the parapet.

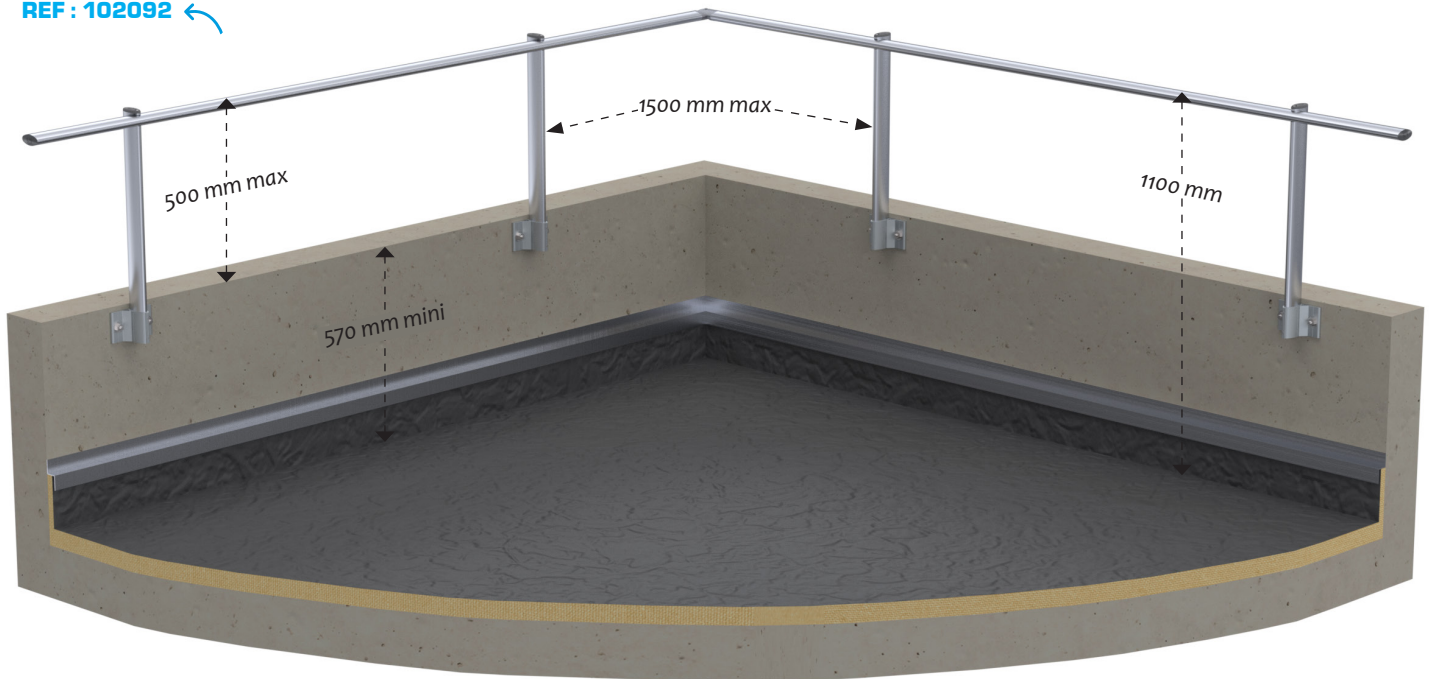
REF : 102329
Straight upright without midrail.
The length depends on the height of the parapet (higher than 570mm).



2 Straight guardrail without midrail: GCE-DA1

The **SECURILISSE® evo GCE-DA1** is used to mount against a parapet higher than 570 mm.

REF : 102092 ←




3 Straight guardrail with midrail and plinth: GCE-DA3

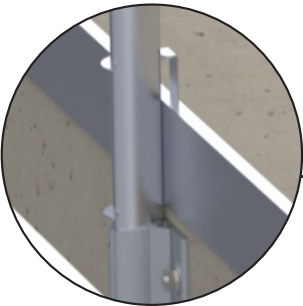
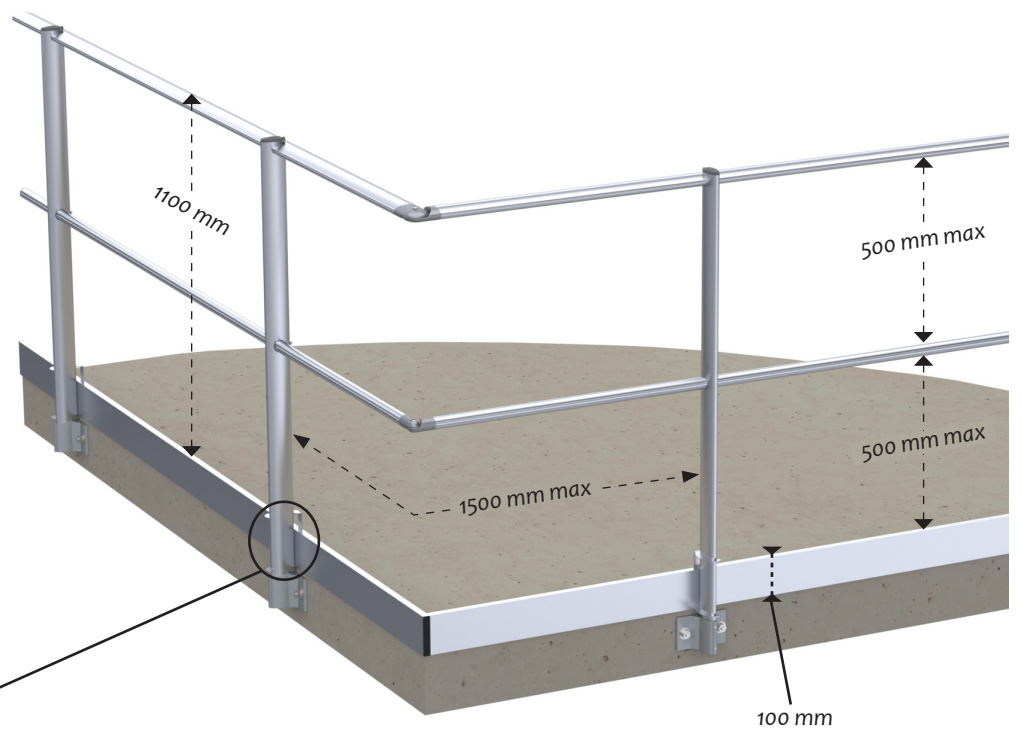
The **SECURILISSE® evo GCE-DA3** is suitable for work areas without a parapet. The standard then requires the installation of a plinth.

REF : 102094 ←

Plinth accessory:



REF : 101689
Plinth fixation for GCE-A3.
With a parapet of less than 100 mm.

Face mounting

Description:

The **SECURILISSE® evo GCE-A** is a collective system against falls from heights, designed for roofs that are inaccessible to the public and for a face mounting. The 30-degree inclined version is chosen for aesthetic reasons as it is less visible from the ground. This guardrails can be combined with midrail and plinth.

Details:

Material: Aluminium

Finish: Raw, anodised or powder-coated

Available version: Straight or inclined

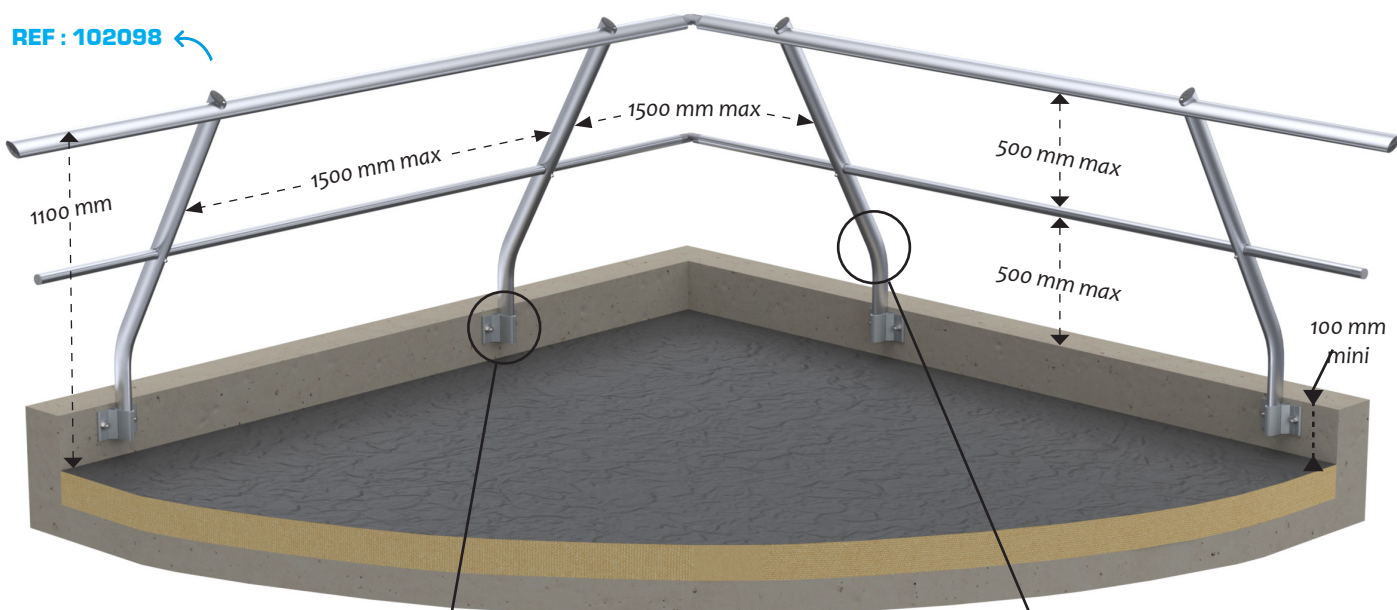
Setup: Delivered with manuals and drawings available online at: <http://extranet.somain.fr>



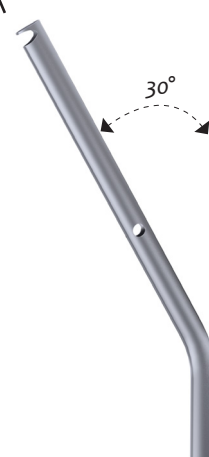
GCE-IA (inclined)

1 Inclined guardrail with midrail: GCE-IA2

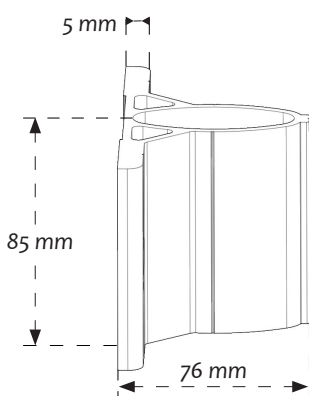
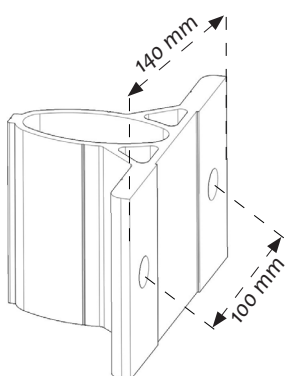
The **SECURILISSE® evo GCE-IA2** is used for mounting against a 160 to 630 mm high parapet.



REF : 101640
 Base for face mounting.
Fixing: 2 M12
Spacing: 100 mm



REF : 102332
 Straight upright with midrail.
 Its length depends on the height of the parapet.

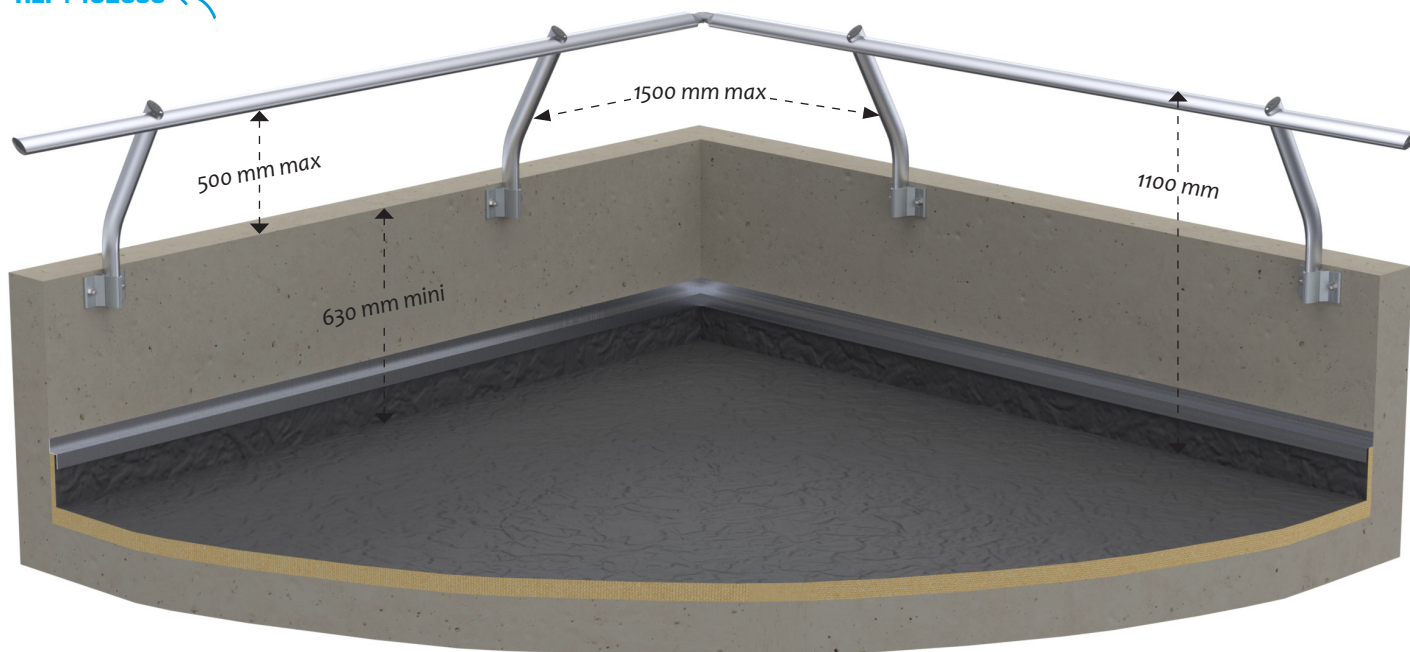


REF : 102330
 Straight upright without midrail.
 Its length depends on the height of the parapet (higher than 570mm).

2 Inclined guardrail without midrail: GCE-IA1

The **SECURILISSE® evo GCE-IA1** is used to mount against a higher than 630 mm parapet.

REF : 102099 ←



3 Inclined guardrail with midrails and plinth: GCE-IA3

The **SECURILISSE® evo GCE-IA3** is suitable for work areas without a parapet. The standard then requires the installation of a plinth.

REF : 102100 ←

Plinth accessory:



REF : 101689

Plinth fixation for GCE-A3.
With a parapet of less than 100 mm.

