

Fixation on insulated terrace

Description:

The **SECURILISSE® GC-TI** is a collective system against falls from heights, designed for roofs that are inaccessible to the public and for installation on concrete slabs through the insulation. Waterproofing is preserved thanks to the combination of two collars fitted to the guardrail uprights.

Details:

Material: Aluminium

Finish: Raw, anodised or powder-coated

Available version: Straight or inclined

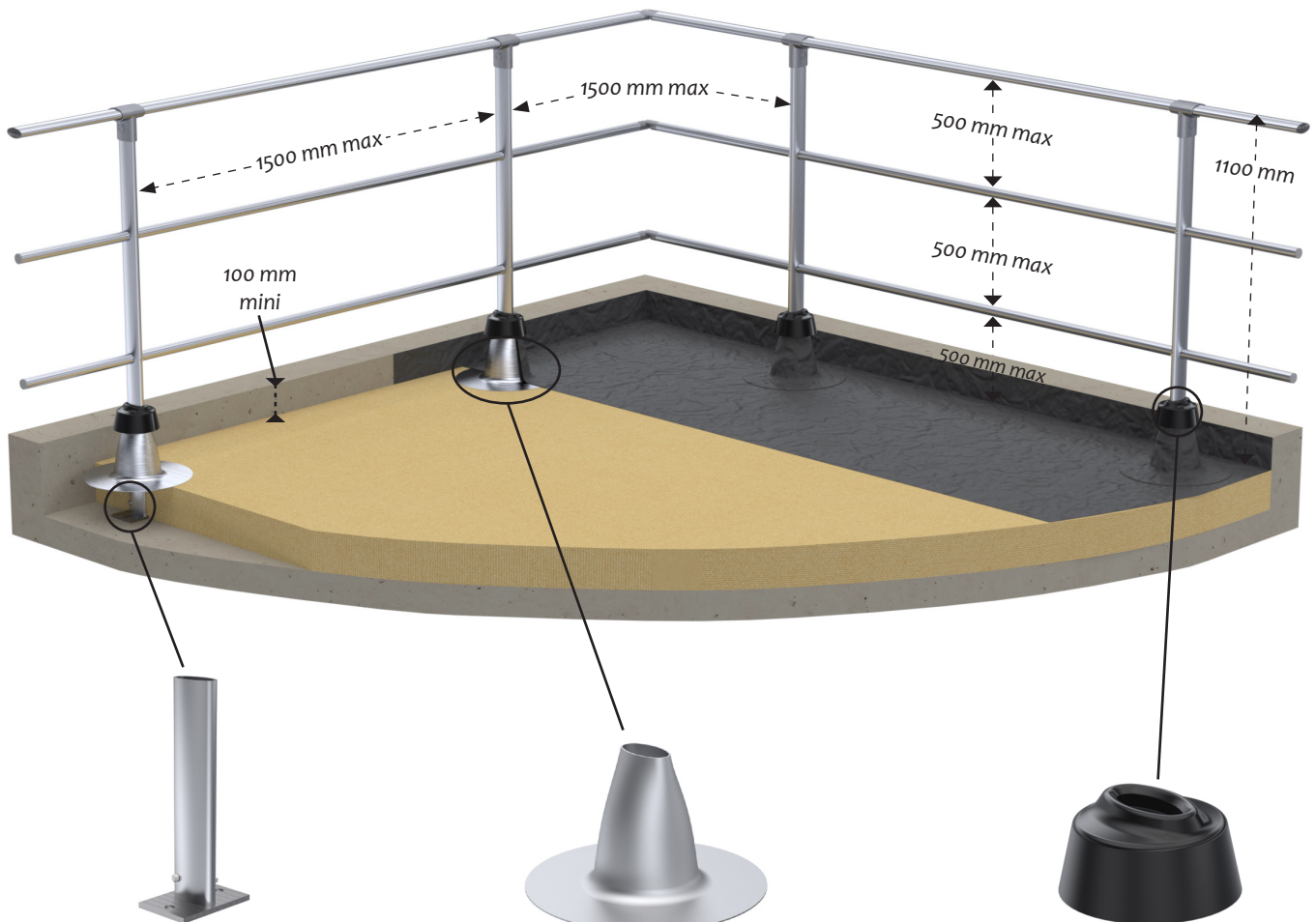
Setup: Delivered with manuals and drawings available online at: <http://extranet.somain.fr>



GC-TID (straight)

1 Straight guardrail with midrails: GC-TID

The **SECURILISSE® GC-TID** is used for an installation on concrete terrace with a parapet of 100 mm min.



REF : 101232

Customised GC-TI base

Fixing: 2 M12

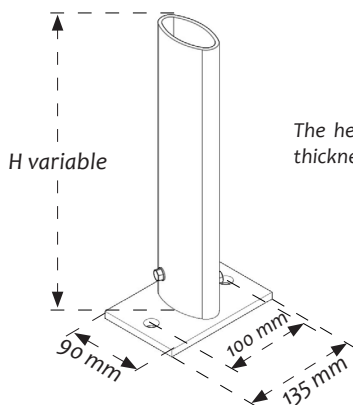
Spacing: 100 mm

REF : 101082

Aluminium cover collar.

REF : 101019

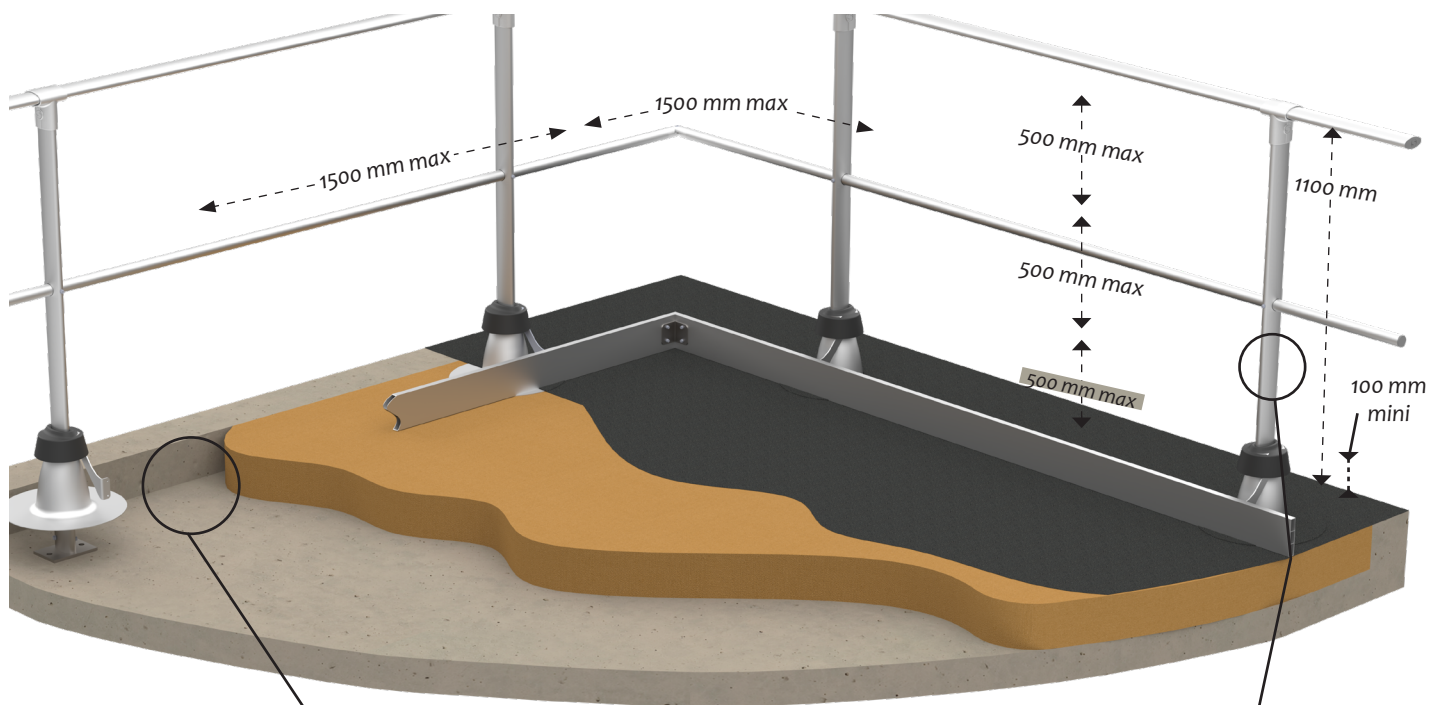
Plastic collar.



The height of the base is tailor made in our workshops to match the thickness of the building's waterproofing.

2 Straight guardrail with midrail and plinth: GC-TID.P

The **SECURILISSE® GC-TID.P** is suitable for work areas on insulated concrete terraces without a parapet or one of less than 100 mm. The standard then requires the installation of a plinth.



Plinth accessory:




REF : 101087
Plinth fixation for GC-TI.
With a parapet of less than 100 mm.



REF : 100532
Standard straight upright.

Fixation on insulated terrace

Description:

The **SECURILISSE® GC-TI** is a collective system against falls from heights, designed for roofs that are inaccessible to the public and for installation on concrete slabs through the insulation.

The waterproofing is preserved thanks to the combination of two collars fitted to the guardrail's uprights. The 30-degree inclined version is chosen for aesthetic reasons as it is less visible from the ground.

Details:

Material: Aluminium

Finish : Raw, anodised or powder-coated

Available version : Straight or inclined

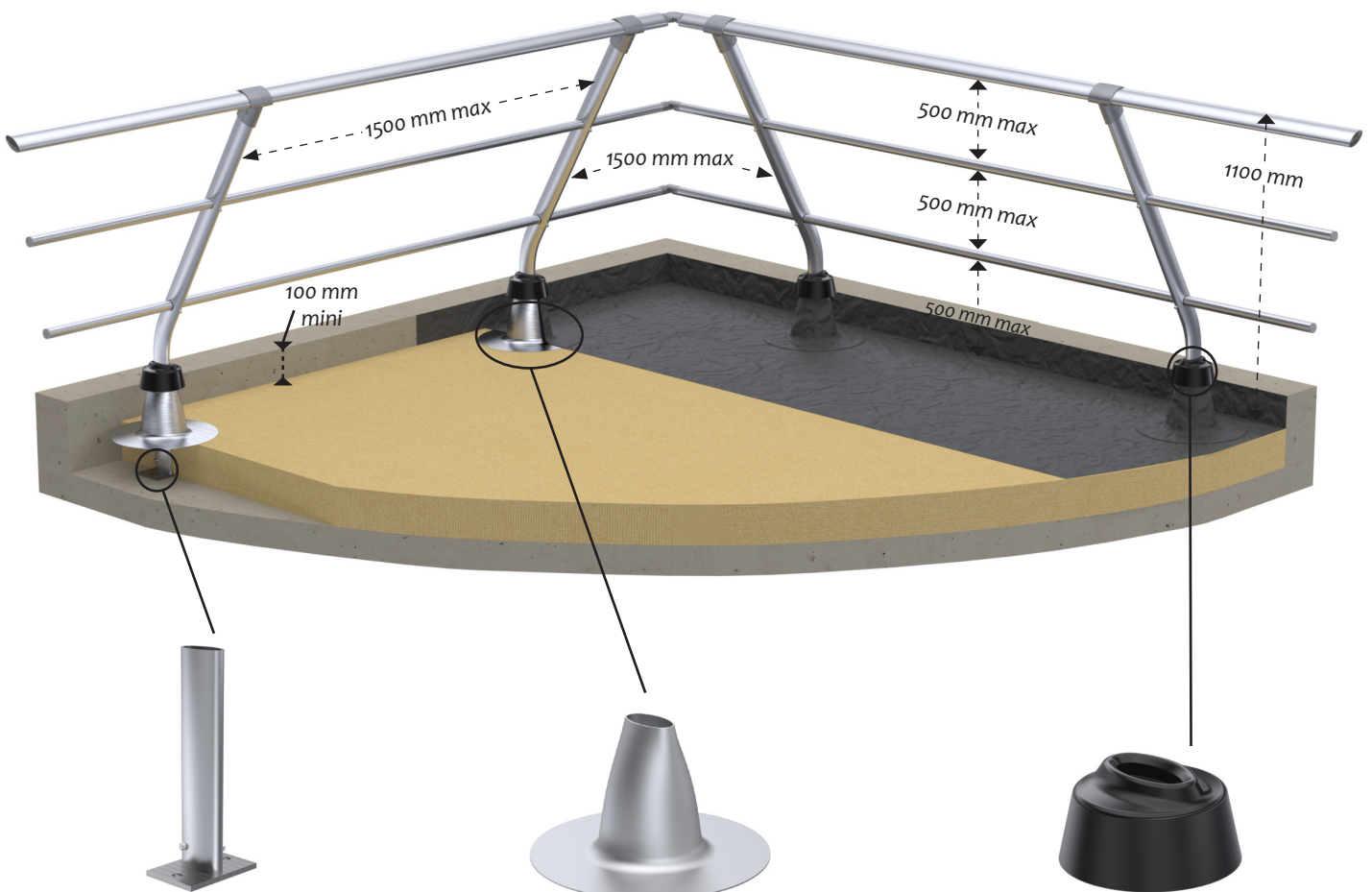
Setup : Delivered with manuals and drawings available online at: <http://extranet.somain.fr>



GC-TI-I (inclined)

1 Inclined guardrail with midrails: GC-TI-I

The **SECURILISSE® GC-TI-I** is used for an installation on concrete terrace with a parapet of 100 mm min.



REF : 101232

Customised GC-TI base

Fixing: 2 M12

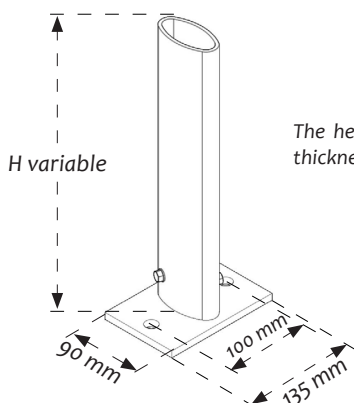
Spacing: 100 mm

REF : 101082

Aluminium cover collar.

REF : 101019

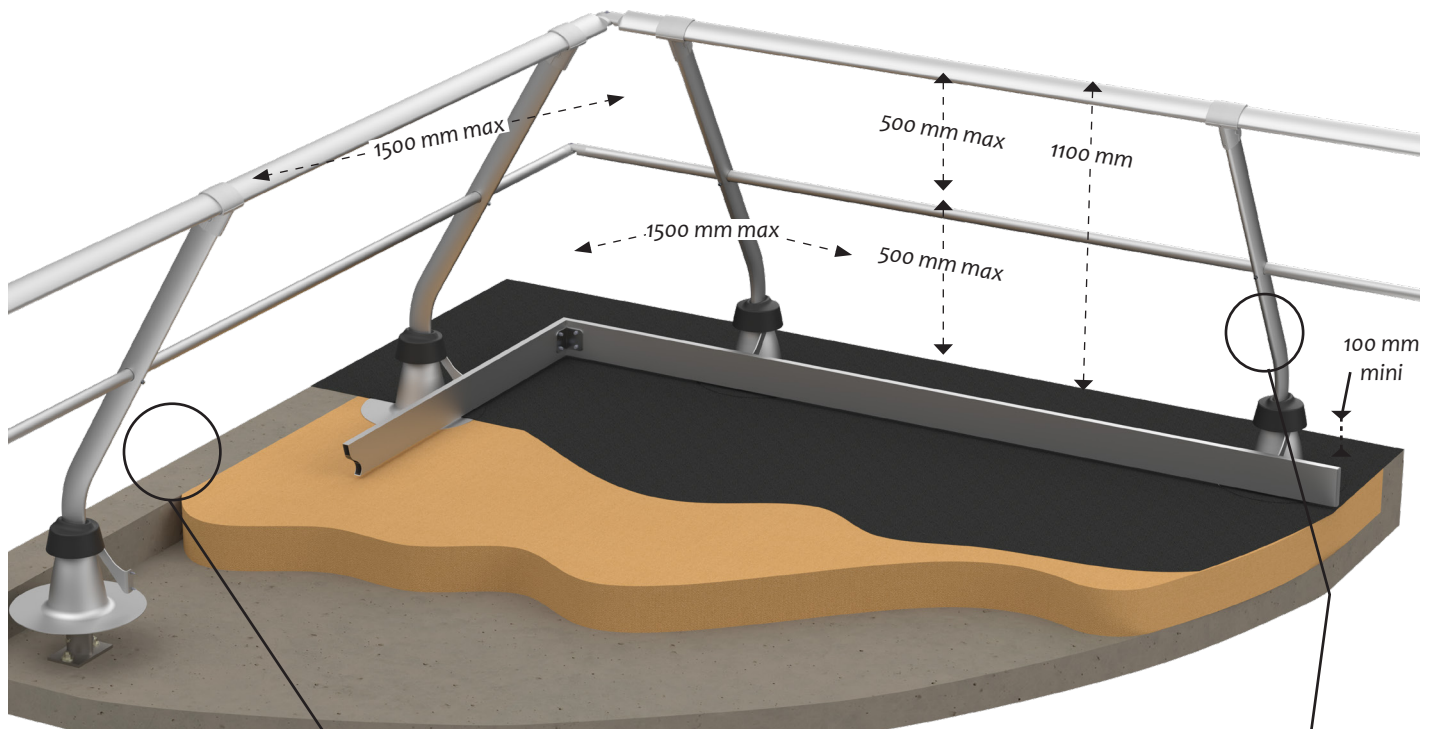
Plastic collar.



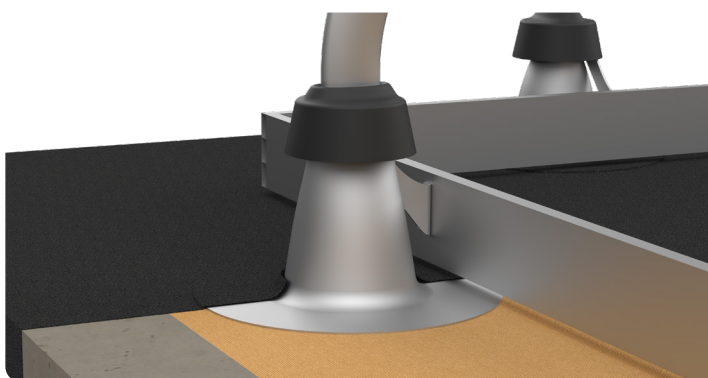
The height of the base is tailor made in our workshops to match the thickness of the building's waterproofing.

2 Inclined guardrail with midrails and plinth: GC-TI-I.P

The **SECURILISSE® GC-TI-I.P** is suitable for work areas without a parapet or one of less than 100 mm. The standard then requires the installation of a plinth.



Plinth accessory:



REF : 101087
Plinth fixation for GC-TI.
With a parapet of less than 100 mm.



REF : 100539
30-degree inclined upright.