

## Fixing on hot metal deck

### Description:

The **SECURILISSE® GC-BC** is a collective system against falls from heights, designed for roofs that are inaccessible to the public and for installation onto hot metal decks through the insulation. The waterproofing is preserved thanks to the combination of two collars fitted to the guardrail uprights.

### Details:

**Material:** Aluminium

**Finish:** Raw, anodised or powder-coated

**Available version:** Straight or inclined

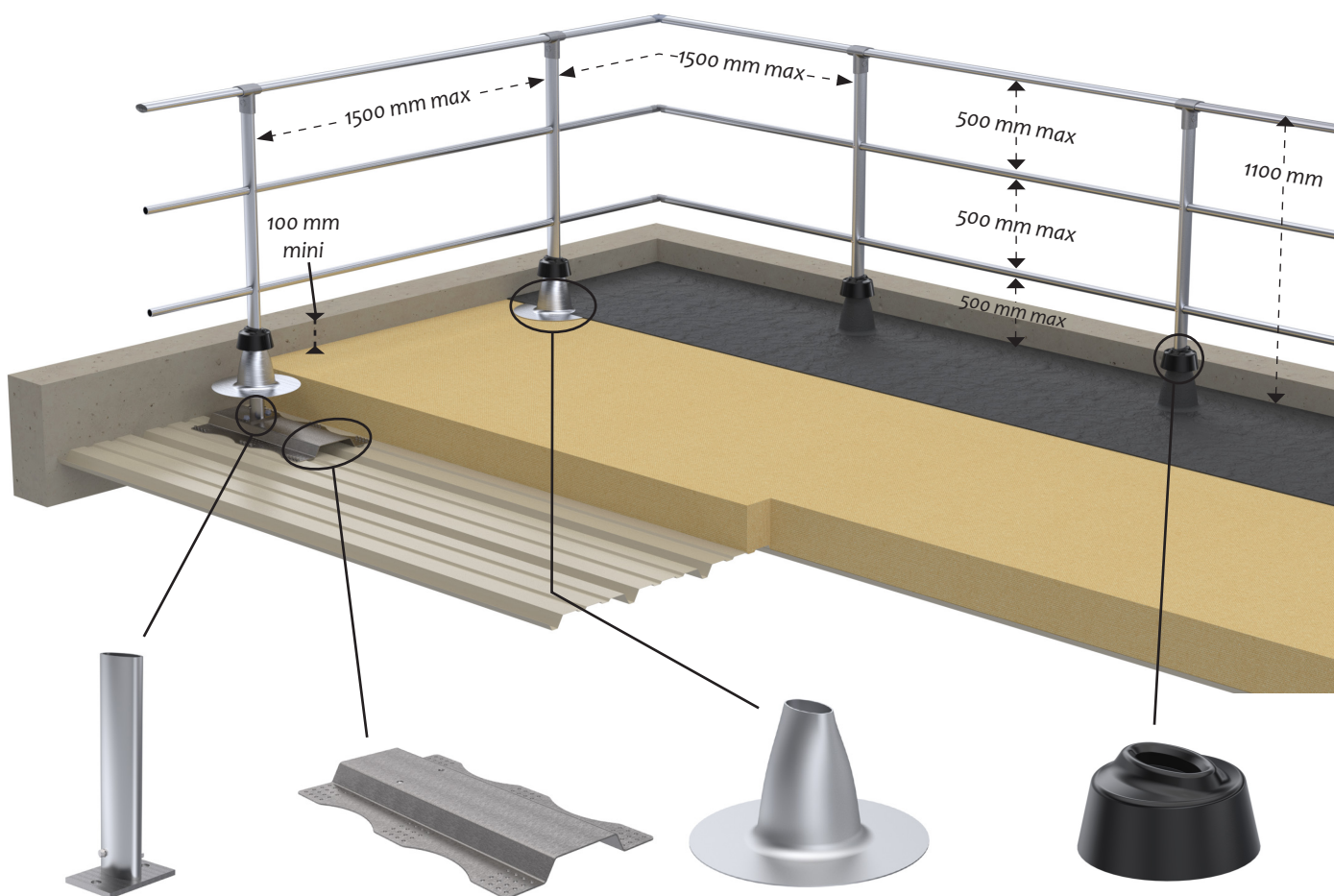
**Setup:** Delivered with manuals and drawings available online at: <http://extranet.somain.fr>



### GC-BCD (straight)

#### 1 Straight guardrail with midrails: GC-BCD

The **SECURILISSE® GC-BCD** is used for an installation on roof hot metal decks with min. 100 mm parapets.



**REF : 101232**

Customised GC-TI base.  
Fixed with 2 M12.

**REF : 101706**

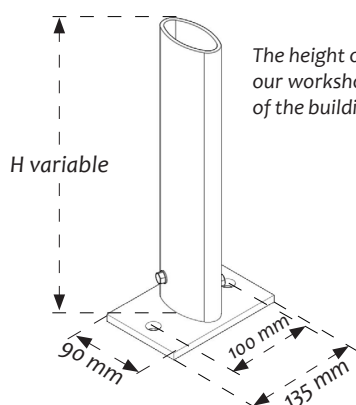
Zinc-plated steel plate for steel decks.

**REF : 101082**

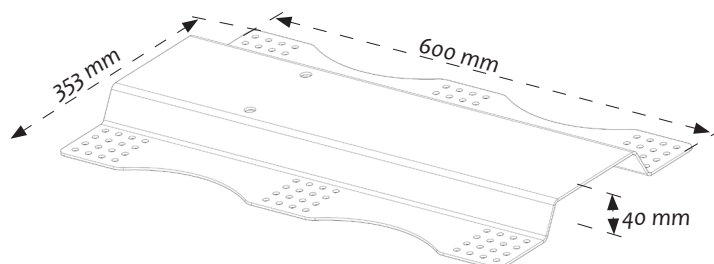
Aluminium cover collar.

**REF : 101019**

Plastic collar.

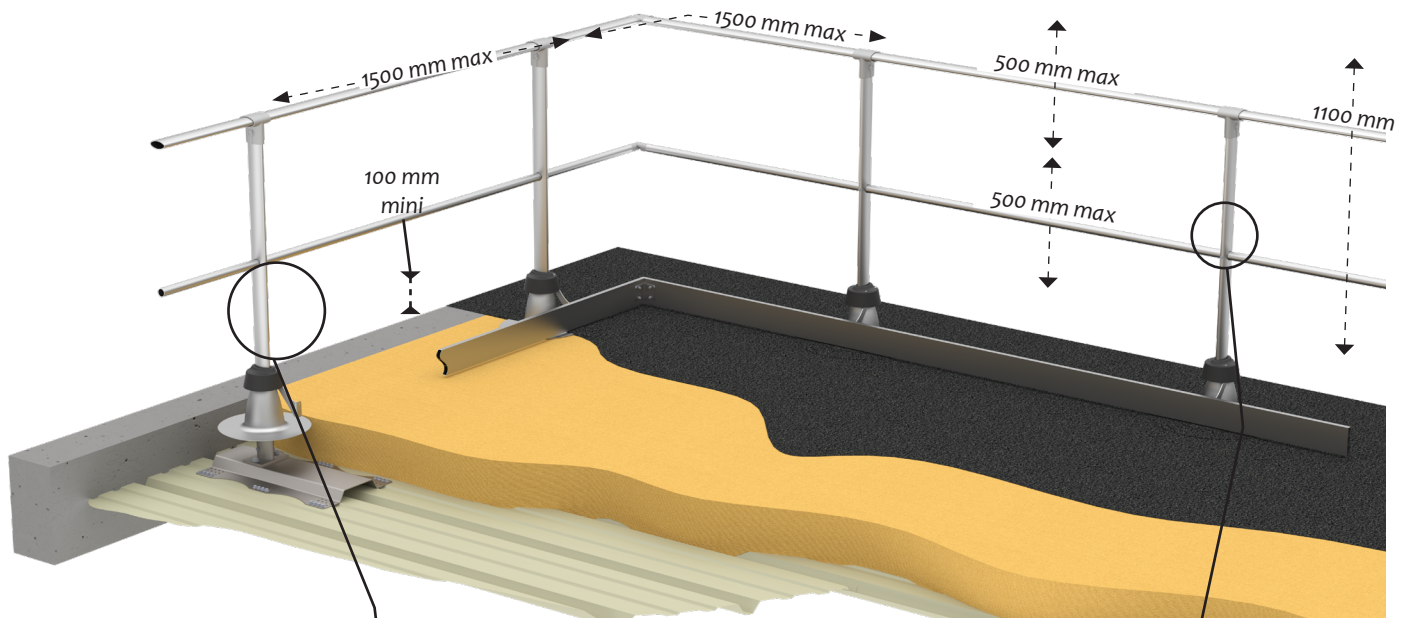


The height of the base is tailor made in our workshops to match the thickness of the building's waterproofing.

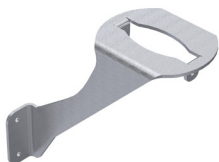
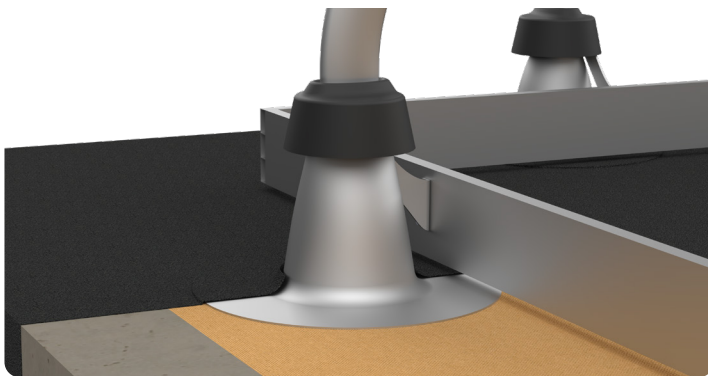


**2 Straight guardrail with midrail and plinth: GC-BCD.P**

The **SECURILISSE® GC-BCD.P** is suitable for work areas on hot metal deck roofs without parapets or of less than 100 mm. The standard then requires the installation of a plinth.



**Plinth accessory:**



**REF : 101087**  
Plinth fixation for GCTI.  
With a parapet of less than 100 mm.



**REF : 100532**  
Standard straight upright.

## Fixing on hot metal deck

### Description:

The **SECURILISSE® GC-BCI** is a collective system against falls from heights, designed for roofs that are inaccessible to the public and for installation onto hot metal deck roofs through the insulation.

The waterproofing is preserved thanks to the combination of two collars fitted to the guardrail's uprights. The 30-degree inclined version is chosen for aesthetic reasons as it is less visible from the ground.

### Details:

**Material:** Aluminium

**Finish:** Raw, anodised or powder-coated

**Available version:** Straight or inclined

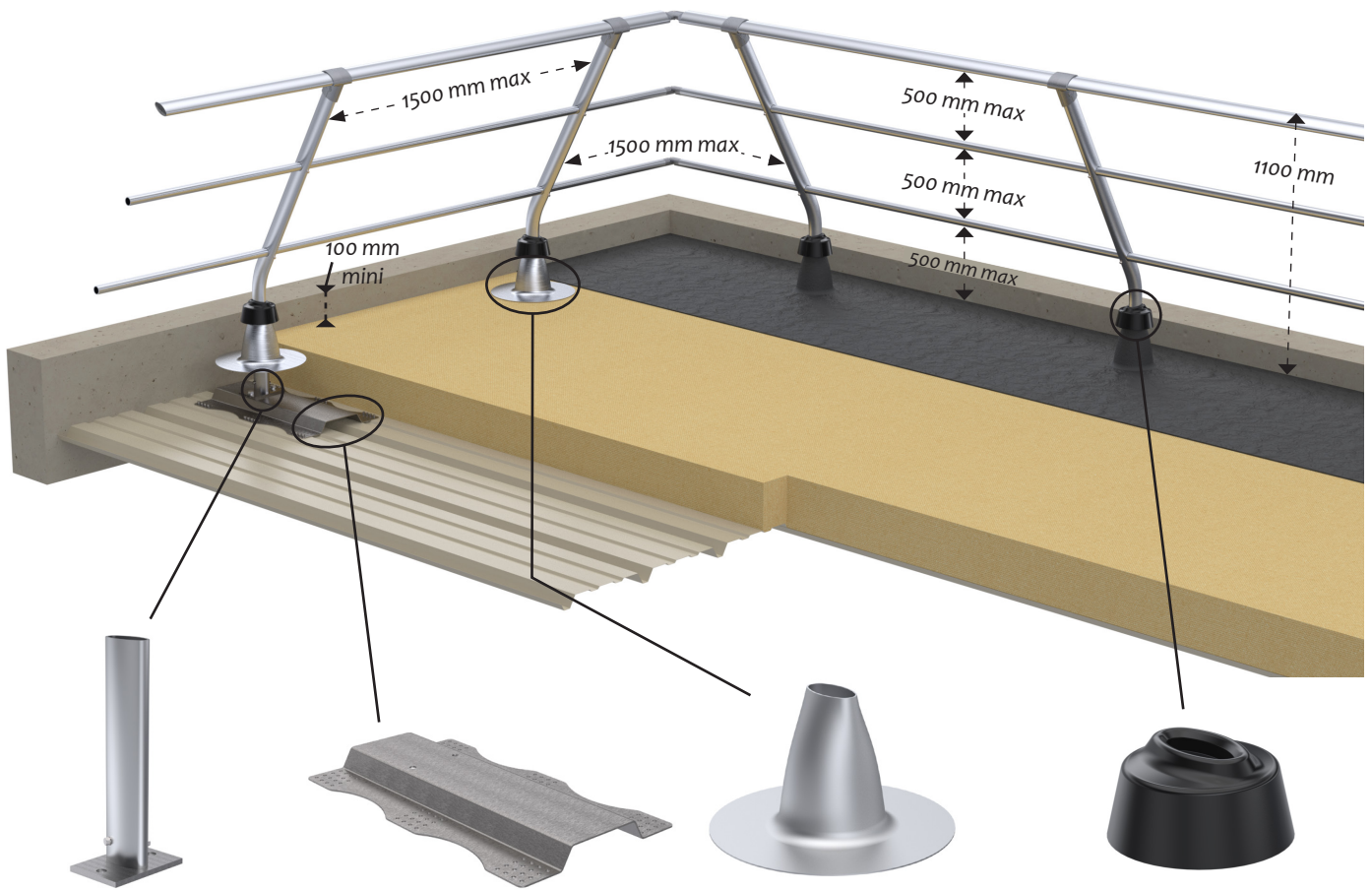
**Setup:** Delivered with manuals and drawings available online at: <http://extranet.somain.fr>



### GC-BCI (inclined)

#### 1 Inclined guardrail with midrails: GC-BCI

The **SECURILISSE® GC-BCI** is used for an installation on hot metal deck roofs with min. 100 mm parapets.



**REF : 101232**

Customised GC-TI base.  
Fixed with 2 M12.

**REF : 101706**

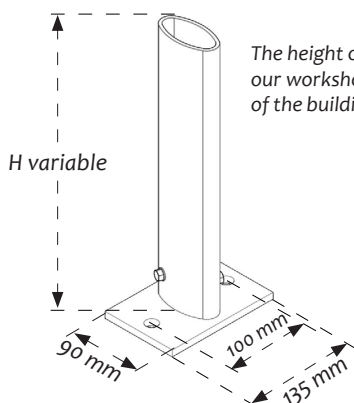
Zinc-plated steel plate for steel decks.

**REF : 101082**

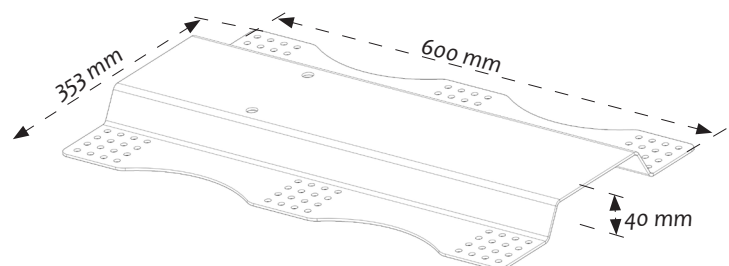
Aluminium cover collar.

**REF : 101019**

Plastic collar.

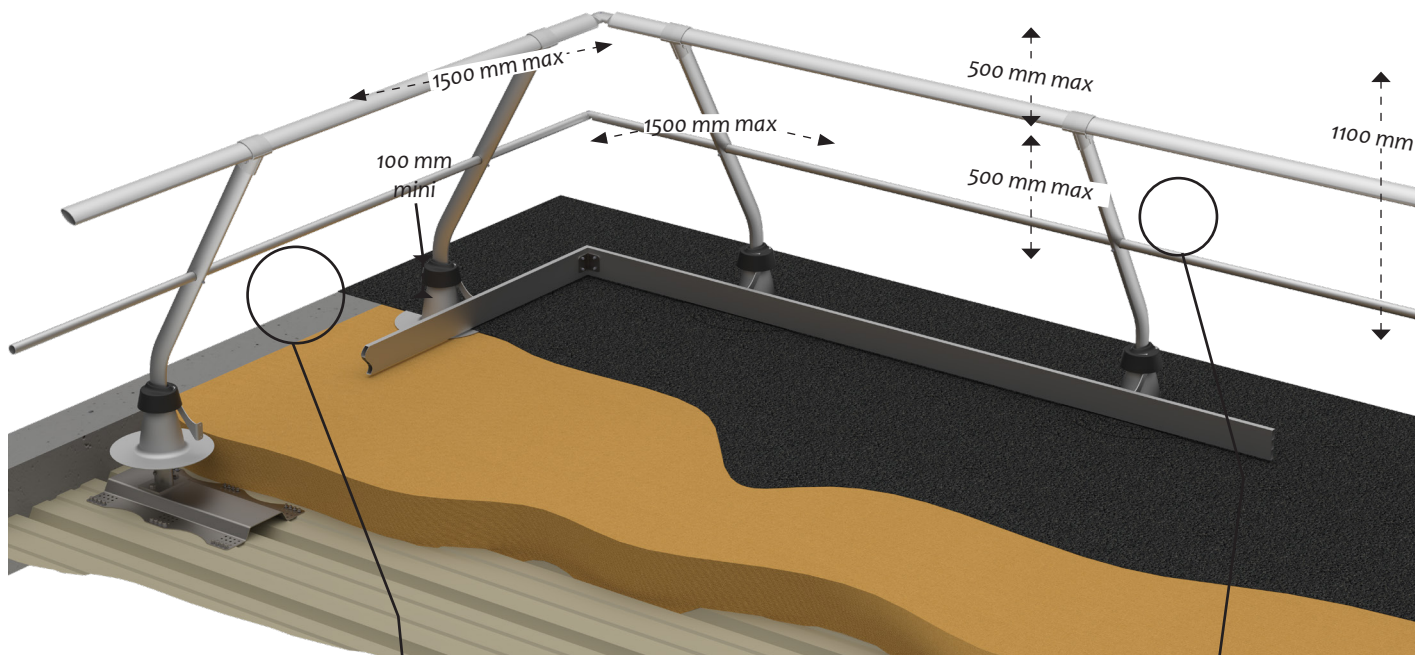


The height of the base is tailor made in our workshops to match the thickness of the building's waterproofing.

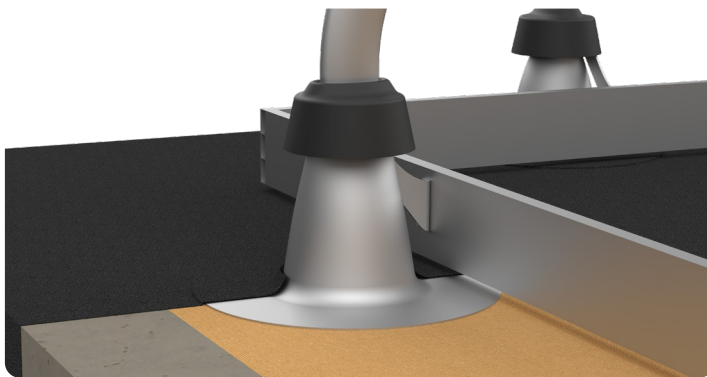


**2 Inclined guardrail with midrails and plinth: GC-BCI.P**

The **SECURILISSE® GC-BCI.P** is suitable for work areas without a parapet or one of less than 100 mm. The standard then requires the installation of a plinth.



**Plinth accessory:**



**REF : 101087**  
Plinth fixation for GCTI.  
With a parapet of less than 100 mm.



**REF : 100539**  
30-degree inclined upright.